

MOTOCOLTIVATORI

4 BIS

7 BISD

EDIZIONE 2009

USE AND MAINTENANCE
USO E MANUTENZIONE
EMPLOI ET MAINTENANCE
USO Y MANTENIMIENTO
USO E MANUTENÇÃO
ΧΡΗΣΗ ΚΑΙ ΣΥΝΤΗΡΗΣΗ



SAFETY RULES

This symbol alongside messages and instructions in this manual and on the machine indicates a potential danger; care must be taken to ensure your own safety and that of anyone within the machine's range of operation.

NORME ANTINFORTUNISTICHE

Sulla macchina ed all'interno di questo manuale sono presenti scritte ed indicazioni accompagnate da questo segnale, stanno ad indicare la presenza di un potenziale pericolo per cui è opportuno utilizzare una particolare prudenza per la propria sicurezza e di quanti si possono trovare nel raggio di azione della macchina.

RÈGLES DE SÉCURITÉ GÉNÉRALE

Sur la machine et sur les pages de ce Manuel se trouvent des mises en garde et des indications accompagnées de ce signal; elles indiquent la présence d'un danger potentiel qui explique la nécessité d'être particulièrement prudent pour sauvegarder sa propre sécurité et la sécurité de tous ceux qui peuvent se trouver dans le rayon d'action de la machine.

SICHERHEITSVORSCHRIFTEN

Auf der Maschine und in diesem Handbuch finden Sie Beschriftungen und Hinweise mit dem hier abgebildeten Symbol. Sie weisen auf eine potentielle Gefahr hin, und Sie sollten besonders gefahrenbewußt vorgehen, um unnötige Risiken für sich selber und andere Personen, die sich im Aktionsbereich der Maschine befinden, auszuschließen.

NORMAS DE SEGURIDAD

En la máquina y dentro de este manual hay leyendas e indicaciones acompañadas por esta señal que indican la presencia de un peligro potencial o la necesidad de adoptar una prudencia mayor para la seguridad propia y de los que se encuentran en el radio de acción de la máquina.

NORMAS DE PRECAUÇÃO CONTRA ACIDENTES

Na máquina e neste manual, estão presentes escritas e indicações acompanhadas por este sinal. Estas chamam a atenção do Operador para a presença de um risco potencial. Portanto, recomenda-se a máxima atenção para garantir a própria segurança e a de terceiros, que possam estar no raio de acção da máquina.

ΚΑΝΟΝΙΣΜΟΙ ΠΡΟΛΗΨΗΣ ΑΤΥΧΗΜΑΤΩΝ

Πάνω στο μηχάνημα και στο εσωτερικό του παρόντος εγχειριδίου, υπάρχουν μηνύματα και οδηγίες δίπλα στο σήμα αυτό που επισημαίνουν την ύπαρξη ενός πιθανού κινδύνου. Για το λόγο αυτό είναι ενδεδειγμένο να δώσετε μεγάλη προσοχή για την ασφάλεια τη δική σας και όσων μπορεί να βρεθούν στην ακτίνα δράσης του μηχανήματος.

BEWARE!

This machine has been manufactured to european standards and carries the CE mark.

GENERAL SECURITY RULES

ATTENZIONE!

Questa macchina è costruita secondo le normative europee ed è certificata col marchio CE.

NORME DI CARATTERE GENERALE SULLA SICUREZZA

ATTENTION!

Cette machine est fabriquée selon les directives européennes et est certifiée par le label CE.

RÈGLES GÉNÉRALES DE SÉCURITÉ

ACHTUNG!

Diese Maschine entspricht den europäischen Richtlinien und ist mit dem CE Zeichen zertifiziert.

ALLGEMEINE SICHERHEITSGESAMEN

¡ATENCIÓN!

Esta máquina es fabricada según las normas europeas y es certificada con la marca CE.

NORMAS DE CARÁCTER GENERAL SOBRE LA SEGURIDAD

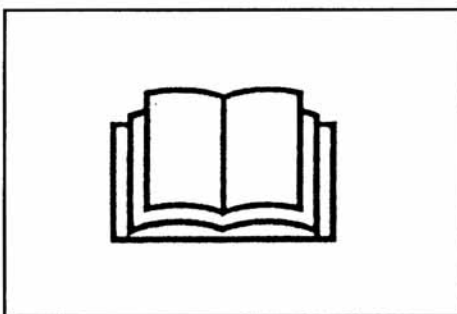
ATENÇÃO!

Esta máquina foi construída em conformidade com as normas europeas e está certificada com a marca CE.

NORMAS DE CARÁCTER GENERAL ACERCA DA SEGURANÇA

ΠΡΟΣΟΧΗ!

ΑΥΤΟ ΤΟ ΜΗΧΑΝΗΜΑ ΕΙΝΑΙ ΚΑΤΑΣΚΕΥΑΣΜΕΝΟ ΣΥΜΦΩΝΑ ΜΕ ΤΟΥΣ ΚΑΝΟΝΙΣΜΟΥΣ ΤΗΣ ΕΟΚ ΚΑΙ ΕΙΝΑΙ ΠΙΣΤΟΠΟΙΗΜΕΝΟ ΜΕ ΤΟ ΣΗΜΑ CE. ΚΑΝΟΝΙΣΜΟΙ ΓΕΝΙΚΟΥ ΧΑΡΑΚΤΗΡΑ ΠΑΝΩ ΣΤΗΝ ΑΣΦΑΛΕΙΑ



Read the manual before starting up and moving the machine.

Leggere questo manuale prima di avviare e mettere in movimento la macchina.

Lire ce livret avec attention avant de mettre en marche le moteur et de faire démarrer la machine.

Vor der Inbetriebnahme der Maschine dieses Handbuch sorgfältig durchlesen.

Leer este manual antes de encender y poner en movimiento la máquina.

Leia atentamente este manual antes de accionar e pôr a máquina em movimento.

Διαβάστε το παρόν εγχειρίδιο πριν βάλετε εμπρός και λειτουργήσετε το μηχάνημα.



Take special care not to touch hot parts of the engine.

Prestate particolare attenzione a non entrare in contatto con parti surriscaldate del motore.

Veiller tout particulièrement à ne pas toucher des éléments surchauffés du moteur.

Achtung – keine heißen Motorteile berühren!

No tocar partes recalentadas del motor.

Tome muito cuidado para não entrar em contacto com as partes aquecidas do motor.

Προσέξτε ώστε να μην έρθετε σε επαφή με τα καυτά τμήματα του κινητήρα.



Engine exhaust fumes can cause sickness or death. If it is necessary to run an engine in an enclosed area, use an exhaust pipe extension to remove the fumes. Always try to work in a well ventilated area.

I gas di scarico possono causare malanni o morte. Se è necessario mettere in moto un motore in uno spazio chiuso, usare una prolunga tubo di scarico per far uscire il fumo. Lavorare in una zona ben ventilata.

L'exhalation des gaz d'échappement peut être cause d'intoxication ou de mort. S'il est vraiment nécessaire d'allumer le moteur à l'intérieur, appliquer au tuyau d'échappement un autre tuyau extensible pour permettre la sortie des gaz. Il est toujours mieux de travailler en plein air.

Auspuffgase können Übelkeit oder Tod verursachen. Wenn es notwendig ist, einen Motor in einem geschlossenen Raum laufen zu lassen, benutzen Sie eine Verlängerung, um das Auspuffgas abzuleiten. Versuchen Sie immer in einem ventilierten Raum zu arbeiten.

Los gases de escape pueden provocar enfermedades o muerte. De tener que poner en marcha un motor en un espacio cerrado, usar una prolongación del tubo de escape para que salga el humo. Trabajar en una zona bien ventilada.

Os gases de escape podem causar danos ou morte. Caso seja necessário fazer com que o motor funcione num espaço fechado, utilize uma extensão para o tubo de escape que os fumos sejam expulsos para o exterior. Trabalhe numa área bem ventilada.

Τα καυσαερια μπορούν να προκαλέσουν λιπθυμίες η και θάνατο. Αν πρέπει οπωσδήποτε να βάλετε σε λειτουργία έναν κινητήρα μέσα σ'ένα κλειστό χώρο, χρησιμοποιήστε μια προεκταση για την εξατμιοη ωστε να βγαινουν τα καυσαζεστε σε καλά αεριζομενο χώρο.



Caution! Never touch moving pulleys or belts. They can be very dangerous. Never do maintenance with engine running.

Attenzione! Non toccare mai pulegge o cinghie in movimento, creano gravi danni alla persona. Non fare manutenzione col motore in moto.

Attention! Ne jamais toucher ni poulies ni courroies en mouvement, elles peuvent provoquer des accidents aux personnes. Ne pas faire l'entretien quand le moteur est en marche.

Vorsicht! Nie laufende Riemenscheiben oder Treibriemen anfassen, da es gefährlich ist. Nie beim laufendem Motor Instandhaltung machen. Neigung vermeiden.

¡Atención! No tocar jamás poleas o correas en movimiento, porque pueden crear graves daños a la persona. No efectuar el mantenimiento con el motor en marcha.

Atenção! Nunca toque nas polias ou correias em movimento devido ao alto risco de ferimentos. Nunca faça a manutenção da máquina com o motor ligado.

Προσοχή! Ποτέ μην ακουμπάτε τροχαλίες ή μιάντες ενώ περιστρέφονται, μπορούν να προξενήσουν σοβαρά τραύματα. Η συντήρηση δεν πρέπει να γίνεται με τον κινητήρα αναμμένο.



A burst which separates the tyre from the rim parts can cause serious injury or death.

La separazione fra pneumatico e cerchione, causata dall'esplosione del pneumatico, può provocare serie ferite o addirittura la morte.

La séparation entre le pneu et la jante, provoquée par l'explosion d'une roue peut causer des dommages, blessures ou la mort.

Die Trennung der Räder von den Felgen durch Explosion kann schwere Verletzungen oder den Tod verursachen.

La separación entre el neumático y la llanta producida por la explosión del neumático puede provocar graves heridas e incluso la muerte.

A separação entre o pneumático e o aro, provocada pela explosão do pneumático, pode causar graves ferimentos ou até mesmo a morte.

Η απόσπαση του ελαστικού από τη ζάντα, λόγω σκασίματος του ελαστικού, μπορεί να προκαλέσει σοβαρά τραύματα ή ακόμα και το θάνατο.



Sharp component. Keep hands and feet away. Do not clean the attachment when the engine is turning.

Organo tagliente. Tenere lontano piedi e mani. Non pulire l'attrezzo con il motore in moto. Organe tranchant. Ne pas approcher mains et pieds. Ne pas nettoyer l'outil quand le moteur est en marche.

Schneidende Klinge. Hände und Füße fernhalten. Niemals bei laufendem Motor reinigen.

¡Peligro! Órgano cortante. Mantener lejos los pies y las manos. No limpiar la herramienta con el motor en marcha.

Perigo! Órgão afiado. Mantenha as mãos e os pés afastados. Não limpe o equipamento com o motor em movimento.

Κοφτερό όργανο. Κρατάτε μακριά χέρια και πόδια. Μην καθαρίζετε το εργαλείο με τον κινητήρα αναμμένο.



Handle fuel with care, it is highly flammable: Do not refuel machine while smoking, when machine is near an open flame or sparks, or when the engine is running. Stop the engine.

Maneggiare il carburante con cura, è altamente infiammabile; non fate rifornimento mentre fumate, o vicino a fiamme o scintille, o quando il motore è acceso.

Manier avec soin le carburant car c'est très inflammable. Ne pas remplir le réservoir si vous êtes en train de fumer ou pendant que la machine est près du feu ou d'étincelles ou encore pendant que la machine travaille. Arrêter le moteur.

Treibstoff vorsichtig handhaben, da er sehr entzündbar ist: beim Tanken nicht rauchen. Nicht tanken, wenn die Maschine in der Nähe von Flammen oder Funken ist oder wenn der Motor läuft. Immer den Motor abschalten.

Manejar el combustible con cuidado porque es sumamente inflamable; no repostar mientras se fuma o cerca de llamas o chispas, o cuando el motor está encendido.

Manuseie o carburante com cuidado, pois este é altamente inflamável; não fume durante o abastecimento da máquina ou enquanto o motor estiver ligado, não o aproximado de chama ou de faíscas.

Να χειρίζεστε τα καύσιμα με προσοχή, είναι άκρως εύφλεκτα: μην κάνετε ανεφοδιασμό ενώ καπνίζετε, ή κοντά σε φλόγες ή σπινθήρες, ή με τον κινητήρα αναμμένο.



Warning! Turning gears, keep your hands and feet away. Do not clean the attachment when the engine is running.

Attenzione! Organo in rotazione, tenere lontano piedi e mani. Non pulire l'attrezzo col motore in moto.

Attention! Organe en rotation, ne pas approcher mains et pieds. Ne pas nettoyer l'outil quand le moteur est en marche.

Achtung! Rotierende Klinge, Hände und Füße fernhalten. Niemals bei laufendem Motor reinigen.

¡Atención! Órgano en rotación, mantener lejos los pies y las manos. No limpiar la herramienta con el motor en marcha.

Atenção! Órgão em rotação. Mantenha as mãos e os pés afastados. Não limpe o equipamento com o motor em movimento.

ΠΡΟΣΟΧΗ! Περιστρεφόμενο όργανο, κρατάτε μακριά πόδια και χέρια. Μην καθαρίζετε το εργαλείο με τον κινητήρα αναμμένο.



DANGER! READ THE INSTRUCTION MANUAL. KEEP SAFETY DISTANCES.

PERICOLO! LEGGERE IL MANUALE D'ISTRUZIONE. TENERE LONTANO LE PERSONE.

DANGER! LIRE LE MAUNEL D'INSTRUCTIONS. RESPECTER LES DISTANCES DE SÉCURITÉ.

GEFAHR! DIE GEBRAUCHSANLEITUNG DURCHLESEN. NICHT IN DER NÄHE VON ANDEREN PERSONEN MÄHEN.

¡PELIGRO! LEER LAS INSTRUCCIONES. MANTENER ALEJADAS LAS PERSONAS.

PERIGO! LER O MANUAL DE INSTRUÇÕES. MANTER AS PESSOAS AFASTADAS.

ΚΙΝΔΥΝΟΣ! ΔΙΑΒΑΣΤΕ ΤΟ ΕΓΧΕΙΡΙΔΙΟ ΟΔΗΓΙΩΝ ΜΗΝ ΕΠΙΤΡΕΠΕΤΕ ΣΕ ΤΡΙΤΟΥΣ ΝΑ ΠΑΗΣΙΑΣΟΥΝ.



Before using the machine, it is mandatory to put on the appropriate individual safety devices: body protection, protection gloves, security shoes, ear protection.

Prima di utilizzare la macchina, è obbligatorio indossare gli appositi dispositivi di sicurezza individuali: protezione del corpo, guanti di protezione, calzature di sicurezza, protezione dell'udito.

Avant d'utiliser la machine, il est obligatoire de mettre les dispositifs individuels de sécurité appropriés: protection du corps, gants de protection, chaussures de sécurité, protection de l'ouïe.

Vor dem Gebrauch der Maschine ist es vorgeschrieben, die geeignete persönliche Schutzkleidung anzuziehen: Körperschutz, Schutzhandschuhe, Sicherheitsschuhe, Gehörschutz.

Antes de utilizar la máquina es obligatorio ponerse los dispositivos individuales de seguridad apropiados: protección del cuerpo, guantes de protección, calzado de seguridad, protección del oído.



Prevent battery explosions: keep sparks, lighted matches and open flames away from the top of the battery. Battery gas can explode.

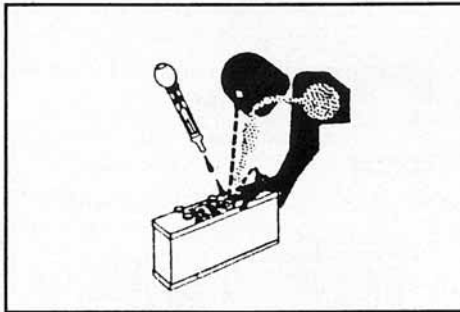
Per prevenire l'esplosione della batteria, tenete scintille, fiammiferi accesi e fiamme lontani dalla stessa. Il gas della batteria può esplodere.

Prevenir l'explosion de la batterie: tenir les éticelles, les alouettes et le feu loin de la batterie. Le gaz de la batterie peut exploser.

Vorbeugung der Batterie-Explosion. Entfernen Sie Funken, Zündhölzer und Flammen von der Batterie. Das Batteriegas kann explodieren.

Para prevenir la explosión de la batería, mantener chispas, cerillas encendidas y llamas lejos de la misma. El gas de la batería puede explotar.

Para prevenir explosao da bateria ter centelhas, fosforos acendido e chamas longe da mesma. O gas da bateria poderia expludir.



Sulfuric acid in battery electrolyte is poisonous. It is strong enough to burn skin, eat holes in clothing and cause blindness if it gets in contact with the eyes.

L'acido sulfureo della batteria è velenoso. È in grado di causare bruciature alla pelle, bucare vestiti e causare cecità se arriva negli occhi.

L'acide sulfurique de la batterie est toxique. Il peut causer des brûlures à la peau, endommager les vêtements et peut aussi causer cécité.

Säure der Batterie ist giftig. Sie kann die Haut verbrennen, Löcher in die Kleidung machen und Blindheit verursachen.

El ácido sulfúreo de la batería es venenoso, puede provocar quemaduras en la piel, agujear la ropa y provocar ceguez si llega a los ojos.

O acido sulfurico e toxico. Pode ser causa de queimadura da pele, furar roupa e provocar queira, no caso chegarem em contacto com os olhos.

4BIS AND 7BISD WALKING TRACTORS

Dear Customer,

thank you for choosing our walking tractor; we are sure that your new machine's performance will meet your requirements in full.

To ensure optimum service and maintenance of its qualities over time, read this manual carefully and follow its instructions. This will give you the best results and protect your investment.

Please keep this manual, which must always accompany the machine.

CAUTION! Before starting the engine, read this carefully. The following warnings are very important in ensuring safety!

WARNINGS

Caution is your main weapon in preventing accidents!

We urge you to read the following regulations for use of the machine carefully before starting work.

Improper use of the machine and its equipment may cause damage; to reduce this risk, read the following precautions carefully.

- 1) Read the whole of this manual before starting the machine or putting it in motion.
- 2) Pay special attention to the safety warnings and labels.
- 3) Rotation of the tiller is extremely dangerous; **never insert hands or feet under the tiller!**
- 4) Before other people are allowed to use the machine they must first be informed about the safety regulations and how to use the vehicle.
- 5) Before starting the engine, make sure that there is no-one nearby, particularly children.
- 6) Never use the machine when tired and do not drink alcohol.
- 7) Check the ground before tilling for stones, sticks or foreign bodies which might damage the machine or be flung dangerously to some distance during operation.
- 8) **Before starting work, put on suitable working clothes, gloves, heavy footwear and goggles.**
- 9) Never use the walking tractor on steep slopes; it might tip over.
- 10) Never allow the machine to be used by anyone under 16 years of age.
- 11) Never reverse with the engine at high throttle.
- 12) It is dangerous to operate the levers sharply with the engine at maximum rpm.
- 13) Never keep the engine running indoors; you may inhale poisonous gases.
- 14) Always switch off the engine before filling up with fuel, keep away from sparks or flames and do not smoke!
- 15) Avoid fuel spills and after filling the tank clean all spills before starting the engine.
- 16) **Never tamper with or deactivate the safety devices.**
- 17) **Never make any adjustments or do any cleaning with the engine running.**
- 18) **Never have anyone check the machine while you are driving and the engine is running.**
- 19) The user is always responsible for injury or damage to third parties.
- 20) Any improper uses causes the warranty to become null and void and the constructor will decline all liability.
- 21) Misshapen or damaged hoes must always be replaced and never repaired.
- 22) Always use original Grillo spare parts.
- 23) Before starting any work with the machine, check that all the accident prevention systems with which it is equipped are in perfect working order. They must never be disabled or tampered with.
- 24) Before starting work, check that the nuts and bolts securing the tiller and hoes are perfectly tight.
- 25) All protective fittings (hoods, mudguards, etc.) must be kept in place during operation.
- 26) Never clean the tiller with the engine running.
- 27) Never use the machine barefoot.
- 28) Do not use the fast connection or other possible extensions with the rotary hoe since they could approach the rotary hoe to the operator's feet and therefore not comply the security regulation PrEN 709.
- 29) The rotating blades of the mower are very dangerous. **Never place your hands or feet under the mower.**
- 30) Store fuel in containers specially constructed for this purpose.
- 31) Never change the engine settings, especially the max. rpm.
- 32) Allow the engine to cool before placing the machine indoors.
- 33) CAUTION: to reduce the risk of fire, keep the engine, the exhaust pipe and the exhaust manifolds free from grass, leaves, dust, etc.
- 34) If you have to empty the fuel tank, do this outdoors.
- 35) Work only in sunlight or with good artificial light.

IDENTIFICATION AND AFTER-SALES SERVICE

The machine's serial number is printed on the nameplate on the frame. Always state the serial number when ordering spare parts.

Grillo S.p.A. CESENA - ITALY				Cod. 03259
tipo	Grillo 4 BIS			
serie	000001			
massa c.a.	105 kg.	KW/giri minuto		
anno	0000	6.5-6/3600		

Grillo S.p.A. CESENA - ITALY				Cod. 03261
tipo	Grillo 7 BISD			
serie	000000			
massa c.a.	110 kg.	KW/giri minuto		
anno	0000	6.5-6/3600		

AFTER-SALES SERVICE

This handbook provides instructions for the use of the walking tractor and for correct basic servicing which the user can carry out himself. For all procedures not described in this handbook, contact your local dealer.

SPARE PARTS

Always use original spare parts, as they are the only ones to offer complete safety and interchangeability. Always state the serial number when ordering.

For engine parts, refer to the specific engine handbook.

WARRANTY

The warranty is provided according to and governed by Applicable Law.

The engine warranty conditions are those of its manufacturer.

WE ADVISE YOU TO KEEP THE FOLLOWING SPARE PARTS TO HAND

For the walking tractor:

- 1 throttle cable
- 1 clutch cable
- 1 throttle lever
- 1 clutch lever

For the cutter bar:

- 1 complete blade
- 2 blade couplings.

ORDERING SPARE PARTS

Always state the machine serial number and the code number of the part to be replaced.

Contact your local dealer or our own stores. Our address is:

GRILLO S.p.A.

Via Cervese 1701 - 47521 CESENA (FC) - ITALY

Tel. 0039 / 0547 / 633111 - Fax 0039 / 0547 / 632011

Web site: www.grillospa.it - E-mail: grillo@grillospa.it

TECHNICAL DATA 4BIS

ENGINE: ROBIN SUBARU EX 27; LOMBARDINI 15LD350. Both available with electric system.

CLUTCH: dry, with manual control.

GEARBOX: gear type

As walking tractor: 4 speeds, 3 forward + 1 reverse speed

As sickle bar: 3 speeds: 1 forward speed + 2 reverse speeds.

SPEED (with 4.00-8 wheels): I – 1,1 / II – 2,6 / III – 11,5 / **I REVERSE** – 2,4.

PTO: 965 rpm independent from the gearbox with engine @3600 rpm

WHEELS: 4.00–8, 4.00–10, 5.00–10 tyres.

ROTARY TILLER: standard 580 mm adjustable at 370 – 470 – 680 mm.

HANDLEBAR: vertically and laterally adjustable, reversible.

EXTERNAL BULK: mm 350 – 420 with 4.00–8 pneumatic wheels;
mm 340 – 460 – 570 with cage metal wheels.

ACCESSORIES: rotary tiller, double rotary tiller, cutter bar, snow thrower, plough, furrower, rotary cutter, all purpose flail, dumping towed trailer, rotary tiller wheel, towing bar, weights, iron wheels, frontal scraper, power brush.

WEIGHT with rotary tiller, 5.00-10 wheels and Diesel engine: 142 kg.

TECHNICAL DATA 7BISD

ENGINE: ROBIN SUBARU EX 27; LOMBARDINI 15LD350. Both available with electric system.

CLUTCH: dry, with manual control.

GEARBOX: gear type

As walking tractor: 7 speeds, 5 forward + 2 reverse speed

As sickle bar: 4 speeds: 2 forward speed + 2 reverse speeds.

SPEED (with 4.00-8 wheels): **I** – 1,1 / **II** – 2,01 / **III** – 2,54 / **IV** – 5,07 / **V** – 11,07; **REVERSE:** **I** – 2,4 / **II** – 3,14.

PTO: 965 rpm independent from the gearbox with engine @3600 rpm.

WHEELS: 4.00–8, 4.00–10, 5.00–10 tyres.

ROTARY TILLER: standard 580 mm adjustable at 370 – 470 – 680 mm.

HANDLEBAR: vertically and laterally adjustable, reversible.

EXTERNAL BULK: mm 350 – 420 with 4.00–8 pneumatic wheels;

mm 340 – 460 – 570 with cage metal wheels.

ACCESSORIES: rotary tiller, double rotary tiller, cutter bar, snow thrower, plough, furrower, rotary cutter, all purpose flail, dumping towed trailer, rotary tiller wheel, towing bar, weights, iron wheels, frontal scraper, power brush.

WEIGHT with rotary tiller, 5.00-10 wheels and Diesel engine: 143 kg.

INSTRUCTIONS FOR USE

PUTTING THE MACHINE INTO SERVICE

- 1) Check that the machine has not been damaged in transit.
- 2) Fill with grease the machine PTO flanging all around the coupling (fig. 1 no. 20 and fig. 3 no. 20).
- 3) Select handlebar position according to the use, Walking tractor or Sickle bar, by using the two levers (fig. 1 no. 8 and 13; fig. 3 no. 8 and 13).
- 4) Mount wheels and implement (e.g. rotary tiller, plough etc.) and tighten the securing nuts completely.
- 5) Add engine oil, please refer to attached instruction booklet.
- 6) Check gearbox oil (fig. 6).
- 7) Add oil into the air filter in oil bath (for versions provided with this type of filter), use the same oil type as the engine oil (fig. 7A).
- 8) Insert the control levers (fig. 1 no. 9 and 12; fig. 3 no. 3, 9 and 12).
- 9) Verify the tyre pressure according to the table provided.

TYRE PRESSURE		
4.00 - 8	2 PLY RATING	1,1 bar
4.00 - 10	2 PLY RATING	1,1 bar
5.00 - 10	2 PLY RATING	1,5 bar
5.00 - 12	2 PLY RATING	1,5 bar

- 10) In the electric starting versions verify the battery voltage, it must not be lower than 12,5V, when required charge the battery.

IMPORTANT! During assembly take care not to get the polarity of the battery reversed.

- 11) Check the clutch wire has a 5/8 mm clearance between the regulator and the lever.
- 12) Fill the tank with fuel using a funnel provided with a fine filter.
- 13) Check liquid levels when the machine is horizontal.

CHECKS BEFORE THE START

Before starting the engine always check:

- The oil levels inside the engine (fig. 5) and the gearbox; the level check screw is on the upper cover (fig. 6); the oil level must be between the two notches.
- That all screws and nuts are well tightened especially those fastening the attachments to the machine.
- That all levers are in neutral.
- That the air filter (dry version) is clean (fig. 7). Caution! Never blow the cartridge with compressed air; if clogged it must be replaced.
- That the air filter (in oil bath version) is clean and its oil at the right level (fig. 7A).
- That there is a little slack on the clutch cable (fig. 8).
- Check the oil level inside the tiller gearbox (fig. 2 no. 22 and fig. 4 no. 22).
- Fill the tank with fuel, using a funnel with very fine filter.

STARTING THE PETROL ENGINE

Connect the engine stop (fig. 1 no. 25 and fig. 3 no. 25). Turn on the petrol cock, push the throttle lever half way and, if the engine is cold, engage the choke on the carburettor. Start the engine by pulling hard on the pull starter handle (fig. 1 no. 6 and fig. 3 no. 6).

STARTING THE DIESEL ENGINE

Connect the engine stop (fig. 1 no. 25 and fig. 3 no. 25). Push the throttle lever to the midway position (see engine manual), press the decompressor lever on the engine head until it remains in position and start the engine by pulling hard on the pull starter handle (fig. 1 no. 6 and fig. 3 no. 6).

STARTING THE MACHINE

Engage the clutch and set the gearbox lever in the desired position. If the gear does not engage immediately, give a few light touches on the clutch. Release the clutch lever slowly until the machine starts moving.

N.B. - If the PTO is connected the reverse gear cannot be inserted. Disengage the PTO and then engage the reverse gear.

STARTING WORK

Engage the clutch and connect the PTO, moving the clutch lever slightly if it does not engage at once. Increase speed as appropriate and release the clutch to start work.

END OF WORK

When work is ended, in order to stop the engine, set the gear and PTO in neutral position and leave the handles (fig. 1 no 18 - fig. 3 no 18). If your walking tractor is fitted with an electric starter you must also turn the ignition key off.

TROUBLESHOOTING

The following is a list of small problems which may occur during the use of the walking tractor, which the operator himself can remedy:

- 1) If the **petrol engine** does not start, check as follows:
 - that the fuel tank is at least half full;
 - that the petrol cock is turned on;
 - that the choke is engaged (when the engine is cold);
 - that fuel is reaching the carburettor;
 - that the vent hole on the fuel tank is not blocked;
 - that the mesh filter at the carburettor intake is clean;
 - that the carburettor jets are clean. Check by unscrewing them and if dirty, clean them with a jet of air;
 - that spark plug is generating a spark. To check this, remove the spark plug, re-connect it to the electricity supply wire, rest the metal side on an electrical earth and turn the engine-pulley as if to start it. If no spark is seen between the electrodes, check the connection of the spark plug cable; if there is still no current replace the spark plug with a new one. If a spark is still not obtained, the problem is in the electric system: capacitor, coil, or in some other component. Contact your nearest service centre.
- 2) If the **Diesel engine** does not start check as follows:
 - that the fuel tank vent hole is not blocked;
 - that the fuel tank is at least half full.

If the engine still does not start, contact your nearest service centre.

- 3) If the gears do not engage:
 - regulate the clutch by unscrewing the adjuster screw until the clutch release distance is satisfactory.
 - Remember that there must always be a little slack on the clutch cable.
- 4) Walking tractor with cutter bar or motor mower. If the blade coupling (fig. 30 no. 3) breaks frequently:
 - check that the ledger plates are not too tight.
- 5) Check if the ground is stony; if so pull down the cutting height regulator slides to raise the cutter bar, so that small stones cannot become jammed between the fingers and blades.

MAINTENANCE AND LUBRICATION

Proper maintenance and lubrication help to keep the machine constantly in perfect working order.

RUNNING-IN

Change the engine oil after the first twenty working hours.

ENGINE

Follow the instructions on lubrication intervals in the relative manual. In general users are advised to check the oil level every 4 working hours and to change it every 50 hours. Always use **15W40** engine oil. Check the air filter oil level every 8 working hours or more often in very dusty conditions. Top up with the same oil as for the engine (see engine handbook). On versions with dry filter, replace the cartridge if clogged (do not clean with compressed air jets).

GEARBOX

Check the oil level every 50 working hours by removing the cap and checking with the machine horizontal the oil reaches between the two notches. If necessary add **MP 80 W/90** oil (international equivalent API GL5 oil, US MIL-L-2105D, quantity 2,2 litres for 4BIS and 1,9 litres for 7BISD). Change the oil once a year.

ROTARY TILLER

Check the oil level every 50 hours by removing the plug; the oil must almost fill the rotary tiller box. If necessary add the same oil as for the gearbox.

HELPFUL HINTS FOR PROPER USE:

- 1) Never keep the clutch disengaged for long periods.
- 2) Never leave the machine out in the rain.
- 3) Keep the reversing mechanism in the handlebar support clean and well oiled.
- 4) Never force the gearbox if the gear does not engage; give a succession of little touches on the clutch.
- 5) Never strain the engine: if smoke comes out of the exhaust, the engine is toiling and must be slowed down.
- 6) Even "impossible" grounds can be tilled, but the machine must be well run-in first.
- 7) Never work at full throttle.
- 8) If the engine overheats on the first day, it must be stopped for a few minutes' rest.
- 9) Check the tyre pressure often.
- 10) When fitting the implements (e.g. rotary tiller) take care not to damage the coupling (fig. 29).

END OF SEASON MAINTENANCE

Clean the machine carefully; change the engine, gearbox and tiller gearbox oil. Clean the air filter. Sharpen and grease the blades, replacing them if worn.

FOR LONG IDLE PERIODS

In case the machine is not to be used for a long period, the following precautions are recommended:

- empty the fuel tank and the carburettor;
- drain the oil from the engine;
- clean the engine and the machine thoroughly;
- oil the handlebar support reversing mechanism.

I M P L E M E N T S

Attention!

While attaching the different implements to the flange, make sure that the two parts are perfectly aligned. The nuts of the two stud-bolts must be screwed on by hand and then using a wrench so that they apply pressure to the flange simultaneously (fig. 29).

QUICK COUPLING

The quick coupling is designed to allow various implements to be hitched to the machine easily; the implement is disconnected by simply pulling a lever, without the aid of spanners. This accessory consists of two parts, one fixed to the machine and the other to the implement. Users are therefore advised to purchase just one piece for the machine, and one for each implement (fig. 24). Grease every 50 hours.

EXTENSION FOR IMPLEMENTS

The extension is used to balance the weight of front attachments compared to that of the machine. It is fixed to the attachment flange of the machine using two stud nuts.

ROTARY TILLER

The rotary tiller is used to break the surface layer of the ground in order to increase its permeability and at the same time to get rid of weeds. Till in first speed if the soil is hard and tough or in second speed in soft, sandy soil. The working depth can be adjusted by lifting or lowering the central blade situated under the rotary unit. The tiller cover position will change at the same time. Raise the blade to increase the depth. Start work with the blade in its lowest position, and then raise it if greater depth is required.

N.B. - On hard soils the machine may jump forward. In this case lower the central blade and set it into the third hole. Check that the hoes are fitted correctly (see fig. 9).

ROTARY TILLER SUPPORT WHEEL

It is very useful while travelling between jobs, because it keeps the rotary tiller off the ground, making transfer easier and less tiring (fig. 21).

ADJUSTABLE FURROWER

This implement is specially designed for preparing furrows for sowing and irrigation (fig. 10). It is mounted like a plough or a rotary tiller on the implement flange on the back of the gearbox. The furrow width can be regulated from a minimum of 10 cm to a maximum of 30 cm, by changing the position of the two wings.

The depth can be varied from 10 to 20 cm. When working on particularly hard soils, till before furrowing. The results obtainable can be improved by fitting the 5.00-12 tyres and if necessary the wheel-weights (fig. 18) which increase wheel grip.

COMBINED FURROWER

Like the adjustable furrower, this implement is used for preparing furrows for sowing and irrigation, but it is mounted above the rotary tiller instead of the tiller cover, and the two implements work together (fig. 25).

PLOUGHS

The ploughs (fig. 14) designed for this walking tractor have been especially developed to obtain good ploughing without overstraining the operator. The models available are a single-share plough and a 180° roll-over plough. The latter is especially suitable when working backwards and forwards, such as along rows of vines or fruit-trees. The depth of the furrow obtained may vary from 10 to 15 cm depending on the terrain. The use of steel wheels is recommended (fig. 23).

CUTTER BAR

The cutter bar which can be attached to the walking tractor has a central control. Its strength and high performance make it the best way of mowing small pieces of land when it does not make economic sense to purchase a cutter bar which would remain unused for most of the year, while a walking tractor can be used with other implements.

The cutter bar is attached to walking tractor implement frame instead of the rotary tiller and fixed using the same two nuts. The handlebar must be turned through 180° towards the engine. Before turning the handlebar engage first gear, then release the drive rods and PTO lever. Once the handlebar has been turned, fit the drive rods back into the supports.

To drive the cutter bar, disconnect the safety device which prevents simultaneous engagement of the reverse speed and the PTO (necessary when using the rotary tiller) by simply removing the screw that blocks the gear lever and stops the engagement of the two functions together (fig. 27 and fig. 28).

Important: when reconnecting the rotary tiller, the safety device must be set in the original position. We do not accept any responsibility for failure to follow this rule.

Maintenance

Grease the cross pins every 8 working hours through the grease nipples on the swinging crank. Grease the cutter bar swinging bushing every 50 working hours through the grease nipple under the swinging protection. Please refer to fig. 30 for the lubrication points. Keep the blade ledger plates properly adjusted. They must be neither too tight, so that they block the blade, nor too loose so that there is too much clearance between them and the blades. To adjust the ledger plates in both directions loosen the locking bolts (fig. 11 and fig. 12) and adjust the pressing-down screw. The ledger plates should be replaced when worn even if they are still able to apply pressure against the blades. Regulate the clearance between the blade and the strip by loosening the screws fixing the plates pressing the strip and moving the strip forward until it touches the bar which supports the nailed blade section. Then retighten the pressing plates.

To remove the blade take off the L-shaped blade coupling by removing the two screws (fig 30 no. 3) and slip off the blade. Take care to tighten the fixing screws of the coupling after assembling the blade again.

Always use sharp blades: the machine will be subject to less strain and its working life will be longer.

Clean the cutter bar after every working day, removing any remaining pieces of grass or earth; every now and then check that all screws are tight.

SNOW THROWER

This implement has been especially designed for this particular walking tractor. It is very useful for clearing snow from yards, driveways, etc. It consists of a turbine rotary unit enclosed in a special case open at the front, which rotates at high speed, collecting the snow and throwing it along a pipe. The pipe angle can be adjusted to throw the snow in any direction to a distance of 8 - 10 metres.

The snow thrower is fixed to the implement flange using two nuts. The handlebar must be turned through 180° towards the engine; for this operation follow the directions given for the cutter bar. To operate the snow thrower, the safety device preventing simultaneous engagement of reverse gear and the PTO (necessary with the rotary tiller), must be disconnected by removing the allen screw on the PTO lever (fig. 27).

Important: when reconnecting the rotary tiller, the safety device must be set in the original position. We do not accept any responsibility for failure to follow this rule.

The snow thrower is 70 cm wide and can clear snow up to 40 cm deep. Wheel weights should be used for best performance. If the snow is very wet, keep the ejection pipe turned forward to avoid obstructions at the outlet. The two side skids must be adjusted so that they just skim level ground (asphalted streets) or keep the snow thrower high if the ground is uneven.

Maintenance

When work is over, remove any snow left in the snow thrower so it cannot freeze and block the turbine.

ROTARY CUTTER

The 75-cm rotary cutter for the walking tractor (fig. 15) is designed for the maintenance of areas with tall grass. The high power available and the driving wheels allow operation in the most difficult conditions without tiring the operator and with considerable time saving.

The rotary cutter is fixed to the implement flange using two stud nuts. It is supplied together with side skids to facilitate work in the worst ground conditions and a front support wheel for working on flat ground and with low grass.

The handlebar must be turned through 180° towards the engine; for this operation follow the directions given for the cutter bar. The blade is driven by means of a bevel gear and is equipped with a release mechanism so that its force of inertia cannot drag the machine forward when the clutch is engaged.

To adjust the cutting height act on the front wheel or the side skids.

Frequently check the oil in the bevel gear box. Use gearbox oil MP 80W/90 to fill up.

ALL PURPOSE FLAIL

The 68-cm all purpose flail (fig. 16) has a roller fitted with swinging Y-shaped hammers and is able to cut tall grass, tough stalks and small shrubs into fine pieces; it can also twigs etc. after pruning. Used with mower blades instead, it gives excellent results on smooth lawns.

TILTING FRONT DOZER BLADE - 125 cm

This highly resistant device is ideal for removing snow and levelling mounds of soil or gravel. May be tilted to the right and left (figure 26).

TOWED TRAILER

The trailer designed for the walking tractor (fig. 17) is very useful for short hauls around the farm. It is easy to handle, compact and very quickly hitched to the walking tractor. The trailer can be attached directly to the machine by hitching it to the special towing bar (fig. 20) leaving the tiller in place. Max. load capacity: 300 kg on level ground.

TOWING BAR

The towing bar is needed to attach the trailer to the machine without removing the rotary tiller. This attachment must be fastened to the towing hook on the walking tractor (fig. 20).

WHEEL EXTENSIONS

These help to widen the machine's track and increase its stability on crosswise slopes. They must be fixed between the wheels and the hubs. The track is widened by 6 cm on each side (fig. 22).

WIDE STEEL WHEELS

These wheels are particularly advisable when working on very hard soils with the rotary tiller. The cross bars placed around the wheels dig into the ground, giving the machine a firm grip and preventing the wheels from skidding (fig. 23). The wide steel wheels can be also used when tyres or the narrow steel wheels, might skid or sink in damp or recently tilled ground. The use of wide steel wheels is recommended, although only in these cases. Otherwise tyres are generally advisable; if special grip is not required, they give the machine more even traction and form an elastic buffer between the machine and the ground.

Doble rings are also available for fitting to these wheels.

WHEEL-WEIGHTS

These are mounted on the wheel rims and fixed with two of the four nuts which fix the wheels themselves. They increase the weight of the machine and thus its grip, and their use is recommended when working with the plough, the adjustable furrower, and even the rotary tiller and the trailer if special performances are required. They weigh 18 kg each (fig. 18).

BRAKES

The walking tractor being very manoeuvrable and light is not commonly equipped with brakes, but when working on steep areas it may be required a braking device. For this reason two drum brakes are available on request. They are activated by two handles to be fitted to the handle bar.

MOTOCOLTIVATORI 4BIS E 7BISD

Gentile Cliente,

nel ringraziarLa per la fiducia e la preferenza accordata al nostro motocoltivatore, confidiamo che l'uso di questa sua nuova macchina risponda pienamente alle sue esigenze.

Per l'impiego ottimale e per la sua manutenzione nel tempo, la preghiamo di leggere attentamente e seguire scrupolosamente le indicazioni di questo libretto; ciò le consentirà di ottenere i massimi risultati e salvaguardare la sua spesa.

La preghiamo di conservare questo libretto, che dovrà sempre accompagnare la macchina.

ATTENZIONE! Leggere attentamente prima di avviare il motore.

Le seguenti avvertenze sono importanti per l'incolumità dell'operatore!

NORME ANTINFORTUNISTICHE

La prudenza è l'arma principale nella prevenzione degli incidenti!

La preghiamo vivamente di leggere con attenzione le seguenti avvertenze, prima ancora di iniziare il lavoro.

L'uso improprio del motocoltivatore e il suo equipaggiamento può risultare dannoso; per ridurre queste possibilità osservare le precauzioni necessarie di seguito riportate:

- 1) Leggere questo manuale interamente, prima di accendere e mettere in movimento il motocoltivatore.
- 2) Prestare particolare attenzione alle ammonizioni e alle etichette di sicurezza attorno alla macchina.
- 3) La rotazione della fresa è altamente pericolosa, **non mettere mai le mani o i piedi sotto alla fresa.**
- 4) Prima di fare lavorare col motocoltivatore altre persone bisogna metterle al corrente delle norme di sicurezza e di come si usa la macchina.
- 5) Prima di accendere il motocoltivatore verificare che non ci siano persone intorno; specialmente bambini.
- 6) Non usare il motocoltivatore quando si è affaticati e non bere alcolici.
- 7) Controllare il terreno prima di procedere alla fresatura, che non vi siano sassi, bastoni o corpi estranei, che potrebbero danneggiare la macchina o essere scagliati lontano, e quindi molto pericolosi.
- 8) **Prima di iniziare il lavoro, indossare indumenti appropriati da lavoro, guanti, scarponi, occhiali.**
- 9) Non usare il motocoltivatore su forti pendenze, si potrebbe ribaltare.
- 10) Non fare lavorare ragazzi troppo giovani; è vietato l'uso ai minori di 16 anni.
- 11) Non fare retromarcia col motore accelerato.
- 12) È pericoloso azionare le leve bruscamente, col motore a massimo regime.
- 13) Per evitare il pericolo di esalazioni velenose, non adoperare il motore acceso in un locale chiuso.
- 14) Spegner sempre il motore prima di fare rifornimento di combustibile, stare lontano da scintille o fiamme, non fumare!
- 15) Evitare fuoriuscite di combustibile e dopo aver riempito il serbatoio pulire ogni fuoriuscita prima di avviare il motore.
- 16) **Non manomettere o disattivare i dispositivi di sicurezza.**
- 17) **Non fare nessun tipo di regolazione o pulizia col motore in moto.**
- 18) **Non fare controllare la macchina da nessuno mentre siete alla guida col motore in moto.**
- 19) L'utilizzatore è sempre responsabile dei danni arrecati a terzi.
- 20) Ogni utilizzo improprio comporta il decadimento della garanzia ed il declino di ogni responsabilità del costruttore.
- 21) Le zappe deformate o danneggiate devono essere sempre sostituite, mai riparate.
- 22) Usare sempre ricambi originali Grillo.
- 23) Prima di cominciare qualsiasi lavoro con la macchina, verificare che tutti i sistemi antinfortunistici, di cui essa è dotata, siano perfettamente funzionanti. È severamente vietato escluderli o manometterli.
- 24) Prima di iniziare il lavoro, controllare che le viti e i dadi di bloccaggio della fresa e delle zappette siano perfettamente serrati.
- 25) L'attrezzatura protettiva (cofani, parafanghi, ecc.), va assolutamente mantenuta durante i lavori di zappatura.
- 26) Non pulire la fresa con il motore acceso.
- 27) Non utilizzare la macchina a piedi nudi.
- 28) Non utilizzare l'attacco rapido o eventuali prolunghe con la fresa perché portano la fresa stessa più vicina ai piedi dell'operatore e quindi non rientra nella normativa per la sicurezza Pr EN 709.
- 29) La rotazione della lama del trinciaerba è altamente pericolosa, non mettere mai le mani o i piedi sotto al piatto.
- 30) Immagazzinare il carburante in contenitori specificatamente costruiti con questo obiettivo.
- 31) Non cambiare le regolazioni del motore, in modo particolare il numero di giri massimo.
- 32) Far raffreddare il motore prima di mettere la macchina in locali chiusi.
- 33) **ATTENZIONE:** per ridurre il pericolo di incendio mantenere il motore, la marmitta e i collettori di scarico liberi da erba, foglie, polvere ecc.
- 34) Se dovete svuotare il serbatoio carburante eseguite l'operazione all'aperto.
- 35) Lavorare solo con la luce del sole o con buona luce artificiale.

IDENTIFICAZIONE E ASSISTENZA

IDENTIFICAZIONE

La macchina è fornita di una targhetta posta sul telaio con il numero di matricola. Questo numero è indispensabile per ogni richiesta di intervento tecnico e per l'ordinazione dei ricambi.

Grillo S.p.A. CESENA - ITALY				Cod. 03259
tipo	Grillo 4 BIS			
serie	000001			
massa c.a.	105 kg.	KW/giri minuto		
anno	0000	6.5-6/3600		

Grillo S.p.A. CESENA - ITALY				Cod. 03261
tipo	Grillo 7 BISS			
serie	000000			
massa c.a.	110 kg.	KW/giri minuto		
anno	0000	6.5-6/3600		

SERVIZIO ASSISTENZA

Questo manuale fornisce le indicazioni per l'uso del motocoltivatore e per una corretta manutenzione di base, eseguibile dall'utilizzatore. Per gli interventi non descritti in questo libretto, interpellare il Rivenditore di Zona.

RICAMBI

Si raccomanda di impiegare esclusivamente ricambi originali, gli unici che offrono caratteristiche di sicurezza e intercambiabilità. Ogni richiesta deve essere corredata del numero di matricola. Per i ricambi del motore, attenersi a quanto indicato nel libretto specifico.

GARANZIA

La garanzia è fornita nei modi e nei limiti indicati dalla legge vigente. Per quanto riguarda il motore, valgono le condizioni previste dai rispettivi Produttori.

RICAMBI CHE CONSIGLIAMO DI TENERE DI SCORTA

Per il motocoltivatore:

- N. 1 filo acceleratore
- N. 1 filo frizione
- N. 1 manettino acceleratore
- N. 1 leva frizione

Per la barra falciante:

- N. 1 lama completa
- N. 2 attacco lama.

COME ORDINARE I RICAMBI

Indicare sempre il numero di matricola della macchina e il numero di codice del pezzo da sostituire. Rivolgersi ai nostri centri ricambi presenti in ogni provincia. Il nostro indirizzo è:
GRILLO S.p.A.

Via Cervese 1701 - 47521 CESENA (FC)

Tel. 0547 / 633111 - Fax 0547 / 632011

Web site: www.grillospa.it - E-mail: grillo@grillospa.it

CARATTERISTICHE TECNICHE 4BIS

MOTORE: ROBIN SUBARU EX27; LOMBARDINI 15LD350. Disponibili versioni con avviamento elettrico.

FRIZIONE: a secco con comando manuale.

CAMBIO: con ingranaggi

Versione motocoltivatore: 4 velocità, 3 AV + 1RM

Versione motofalciatrice: 3 velocità, 1AV + 2RM

VELOCITÀ con ruote 4.00-8: I – 1,1 km/h / II – 2,6 / III – 11,5 / RM I – 2,4.

PRESA DI FORZA: a 965 giri indipendenti dal cambio, con motore a 3600 giri/min.

RUOTE: 4.00-8, 4.00-10, 5.00-10.

FRESA: standard mm 580, regolabile a mm 370 – 470 – 680.

STEGOLE: regolabili sia in altezza che lateralmente, reversibili.

CARREGGIATA: misure all'esterno delle ruote

con ruote pneumatiche 4.00-8: mm 350 – 420.

con ruote metalliche a gabbia: mm 340 – 460 – 570.

ATTREZZI E ACCESSORI: fresa, bifresa, barra falciante, spazzaneve, aratro, assolcatore, trinciaerba, trinciatutto, rimorchio trainato, ruotina fresa, tiro traino, zavorre, ruote in ferro, ruspa frontale, spazzolatrice.

PESO con fresa, ruote 5.00-10 e motore Diesel: 142 kg.

CARATTERISTICHE TECNICHE 7BISD

MOTORE: ROBIN SUBARU EX27; LOMBARDINI 15LD350. Disponibili versioni con avviamento elettrico.

FRIZIONE: a secco con comando manuale.

CAMBIO: con ingranaggi

Versione motocoltivatore: 7 velocità, 5 AV + 2 RM.

Versione motofalciatrice: 4 velocità, 2 AV + 2 RM.

VELOCITÀ con ruote 4.00-8: **I** – 1,1 km/h / **II** – 2,01 / **III** – 2,54 / **IV** – 5,07 / **V** – 11,07; **RM I** – 1,24 / **RM II** – 3,14.

PRESA DI FORZA: a 965 giri indipendenti dal cambio, con motore a 3600 giri/min.

RUOTE: 4.00–8, 4.00–10, 5.00–10.

FRESA: standard mm 580, regolabile a mm 370 – 470 – 680.

STEGOLE: regolabili sia in altezza che lateralmente, reversibili.

CARREGGIATA: misure all'esterno delle ruote

con ruote pneumatiche 4.00–8: mm 350 – 420

con ruote metalliche a gabbia: mm 340 – 460 – 570

ATTREZZI ED ACCESSORI: fresa, bifresa, barra falciante, spazzaneve, aratro, assolcatore, trinciaerba, trinciatutto, rimorchio trainato, ruotina fresa, tiro traino, zavorre, ruote in ferro, ruspa frontale, spazzolatrice.

PESO con fresa, ruote 5.00-10 e motore Diesel: 143 kg.

ISTRUZIONI D'USO

MESSA IN OPERA DELLA MACCHINA

- 1) Controllare l'integrità della macchina per verificare che non abbia subito danni nel trasporto.
- 2) Riempire di grasso la flangiatura PTO della macchina intorno all'innesto (fig. 1 n. 20 e fig. 3 n. 20).
- 3) Posizionare il manubrio di guida nella posizione desiderata motocoltivatore o motofalciatrice utilizzando le due leve (fig. 1 n. 8 e n. 13; fig. 3 n. 8 e n. 13).
- 4) Montare le ruote e l'accessorio (ad es. fresa, aratro, ecc.), serrare a fondo i dadi di fissaggio.
- 5) Inserire l'olio motore, attenersi all'apposito libretto allegato.
- 6) Controllare l'olio cambio (fig. 6).
- 7) Inserire l'olio nel filtro aria a bagno d'olio (per versioni con questo tipo di filtro) utilizzare lo stesso tipo di olio del motore (fig. 7A).
- 8) Inserire le aste di comando (fig. 1 n. 9 e 12; fig. 3 n. 3, 9 e 12).
- 9) Verificare la pressione dei pneumatici vedi tabella.

PRESSIONE PNEUMATICI		
4.00 - 8	2 PLY RATING	1,1 bar
4.00 - 10	2 PLY RATING	1,1 bar
5.00 - 10	2 PLY RATING	1,5 bar
5.00 - 12	2 PLY RATING	1,5 bar

- 10) Per versioni con avviamento elettrico controllare il voltaggio della batteria, non deve risultare inferiore al valore di 12,5 V, eventualmente provvedere alla carica.

IMPORTANTE! Durante il montaggio evitare di invertire le polarità della batteria.

- 11) Controllare che il filo frizione abbia un po' di gioco fra registro e leva (5/8 mm).
- 12) Riempire il serbatoio di carburante servendosi di un imbuto munito di filtro molto fine.
- 13) I controlli dei livelli vanno eseguiti con la macchina orizzontale.

CONTROLLI PRIMA DELL'AVVIAMENTO

Prima di avviare il motore controllare sempre:

- I livelli dell'olio nel motore (fig. 5) e nella scatola cambio; il tappo di livello è posto sul coperchio superiore (fig. 6); l'olio deve arrivare tra i due bordini.
- Che tutte le viti e i dadi siano ben serrati, in particolare quelli di fissaggio delle zappe e degli attrezzi al motocoltivatore.
- Che tutte le leve siano in posizione di folle.
- Che il filtro aria (vers. a secco) sia ben pulito (fig. 7). Attenzione! Non soffiare la cartuccia con l'aria compressa, se risulta molto intasata va sostituita.
- Che il filtro dell'aria (vers. a bagno d'olio) sia ben pulito e l'olio a livello (fig. 7A).
- Che la leva frizione abbia un po' di gioco (fig. 8).
- Controllare il livello olio del carter fresa (fig. 2 n. 22 e fig. 4 n. 22).
- Riempire il serbatoio di carburante servendosi di un imbuto munito di filtro molto fine.

AVVIAMENTO DEL MOTORE A SCOPPIO

Agganciare il motor stop (fig. 1 n. 25 – fig. 3 n. 25). Aprire il rubinetto del carburante, spingere fino a metà corsa la levetta comando gas e, se il motore è freddo, azionare il dispositivo di starter posto sul carburante. Avviare il motore tirando con forza la manopola dell'autoavvolgente (fig. 1 n. 6 – fig. 3 n. 6).

AVVIAMENTO DEL MOTORE DIESEL

Agganciare il motor stop (fig. 1 n. 25 – fig. 3 n. 25). Spingere a metà corsa la levetta comando gas, premere la levetta del decompressore posizionata sulla testata del motore finché rimane agganciata, (vedi libretto motore) avviare il motore tirando con forza la manopola dell'autoavvolgente (fig. 1 n. 6 – fig. 3 n. 6).

AVVIAMENTO DELLA MACCHINA

Tirare la frizione e portare la leva del cambio nella posizione desiderata. Nel caso la marcia non si innestasse subito, dare dei piccoli colpi di frizione. Rilasciare lentamente la frizione fino a che la macchina si sarà messa in movimento.

N.B.: Se la presa di forza è innestata non si potrà inserire la retromarcia. In questo caso disinnestare la presa di forza ed inserire poi la retromarcia.

INIZIO DEL LAVORO

Tirare la frizione ed innestare la presa di forza dando dei piccoli colpi di frizione se non si innesta subito. Accelerare opportunamente il motore e rilasciare la frizione iniziando il lavoro.

FINE LAVORO

Terminato il lavoro, per arrestare il motore, mettere il cambio e la presa di forza in folle e lasciare il motor stop (fig. 1 n. 18 e fig. 3 n. 18).

Se il motocoltivatore è provvisto di avviamento elettrico è obbligatorio inoltre disinserire la chiave di accensione.

POSSIBILI INCONVENIENTI E LORO RIMEDI

Diamo qui di seguito un elenco dei piccoli inconvenienti che possono avvenire nell'uso del motocoltivatore e che possono essere rimediati direttamente dal cliente:

- 1) Il motore non parte: **motore a scoppio**. Eseguire nell'ordine i seguenti controlli:
 - che il serbatoio della benzina sia pieno almeno per metà;
 - che il rubinetto della benzina sia aperto;
 - che lo starter sia azionato (se il motore è freddo);
 - che la benzina arrivi al carburatore;
 - che il foro di sfiato sul tappo del serbatoio non sia otturato;
 - che il filtro a rete all'entrata del carburatore sia pulito;
 - che i getti del carburatore siano puliti. Per controllarli, sviarli e se sporchi, pulirli con un getto d'aria;
 - che la candela dia la scintilla. Per far questo controllo, smontare la candela, ricollegarla al cavo che le porta la corrente, appoggiare la parte metallica a massa, e far girare la puleggia del motore come per avviarlo. Se non si vede scoccare la scintilla tra i due elettrodi, provare a controllare i collegamenti del cavo della candela e se la corrente non arriva ancora, sostituire la candela. Se anche quest'ultima sostituzione non desse effetto, il guasto è da ricercarsi nell'impianto elettrico, condensatore o bobina, o in qualche altro organo, ed è conveniente rivolgersi al centro di assistenza più vicino.
- 2) Il motore non parte (**motore diesel**). Eseguire, nell'ordine, i seguenti controlli:
 - che il tappo del serbatoio non abbia il foro di sfiato otturato;
 - che il serbatoio del gasolio sia pieno almeno a metà.

Se il motore non partisse ancora rivolgersi al centro di assistenza più vicino.

- 3) Non si innestano le marce:
 - regolare la frizione svitando la vite di registro fino ad ottenere un buon distacco della frizione. Fare attenzione a non annullare completamente il gioco.
- 4) Motocoltivatore con barra falciante. Se si rompe frequentemente l'attacco lama (fig. 30 n. 3):
 - controllare che i premilama non siano troppo stretti.
- 5) Controllare se il terreno è sassoso ed in tal caso abbassare le slitte di regolazione dell'altezza di taglio per tenere la barra falciante più alta ed evitare che i sassi piccoli si infilino tra denti e lama.

MANUTENZIONE E LUBRIFICAZIONE

Una costante manutenzione e una corretta lubrificazione contribuiscono a mantenere la macchina sempre in perfetta efficienza.

RODAGGIO

Dopo le prime 20 ore di lavoro, occorre sostituire l'olio motore.

MOTORE

Per gli intervalli di lubrificazione seguire le norme contenute nel libretto del motore. In linea di massima è opportuno controllare il livello dell'olio ogni 4 ore di lavoro e sostituirlo ogni 50 ore. Impiegare sempre olio motore **15W40**. Per il filtro dell'aria controllare il livello ogni 8 ore, od anche più frequentemente se l'ambiente è molto polveroso. Per ripristinare il livello usare lo stesso olio del motore (vedi libretto motore) per eventuali versioni con filtro a secco, cambiare la cartuccia se risulta molto intasata (non usate getti d'aria per pulirla).

SCATOLA CAMBIO

Controllare il livello dell'olio ogni 50 ore di lavoro togliendo il tappo e controllando che, a macchina orizzontale, l'olio arrivi tra i due bordini. Se occorre, aggiungere olio **MP 80 W/90** (corrispondenza internazionale API GL5, US MIL-L 2105D, quantità 2,2 litri per 4BIS, 1,9 litri per 7BIS). Cambiare l'olio una volta all'anno.

FRESA - Controllare il livello olio ogni 50 ore, svitando il tappo (fig. 2 n. 22 - fig. 4 n. 22); l'olio deve quasi riempire la scatola fresa (quantità: 0,4 kg). Aggiungere, se necessario, lo stesso olio del cambio.

REGOLE UTILI PER UN BUON USO:

- 1) Non tenere la frizione a lungo staccata.
- 2) Non lasciare mai la macchina sotto la pioggia.
- 3) Tenere pulito e oliato il meccanismo di inversione nel supporto stegola.
- 4) Non forzare il cambio se la marcia non entra: mentre si innesta la marcia dare dei piccoli colpi di frizione.
- 5) Non forzare mai il motore; quando fuma dallo scarico, è sotto sforzo: rallenta!
- 6) Si possono zappare anche terreni impossibili; prima però è necessario fare un buon rodaggio alla macchina.
- 7) Non lavorare mai a tutto gas.
- 8) Se nella prima giornata la macchina si riscalda un po', fermatela: ha bisogno di riposare.
- 9) Controllare spesso la pressione dei pneumatici.
- 10) Durante il montaggio di attrezzi (es. la fresa), cercare di non rovinare il centraggio (fig. 29).

MANUTENZIONE DI FINE STAGIONE

Lavare la macchina con cura. Sostituire l'olio sia nel motore sia nei carter cambio e fresa. Pulire il filtro aria. Affilare le zappe ed ungerle e, se risultano consumate, cambiarle.

PERIODI DI LUNGA INATTIVITÀ

Nel caso la macchina non debba essere utilizzata per un lungo periodo, è opportuno adottare queste precauzioni:

- scaricare il carburante;
- scaricare l'olio del motore;
- lavare accuratamente il motore e la macchina;
- oliare il meccanismo di inversione nel supporto stegola.

ATTREZZI

Attenzione

Montando i vari attrezzi sulla flangia attacco attrezzi fare combaciare perfettamente la flangiatura della macchina con quella dell'attrezzo, in modo da mantenere un perfetto centraggio. I dadi dei due prigionieri devono essere accostati a mano fino alla fine della loro corsa e poi serrati con una chiave in maniera che stringano contemporaneamente sulla flangiatura (fig. 29).

ATTACCO RAPIDO

L'attacco rapido è stato studiato per avere una facile applicazione dei vari accessori alla macchina; infatti senza l'ausilio di chiavi, tirando una semplice levetta l'attrezzo si sfilà. Questo accessorio è formato da due parti, una va fissata alla macchina e una all'attrezzo. Consigliamo quindi di acquistare un solo pezzo della parte per la macchina e un pezzo dell'altra parte per ogni accessorio che si intende montare (fig. 24). Lubrificare con grasso ogni 50 ore.

PROLUNGA PER ATTREZZI

Questo accessorio può essere utilizzato per equilibrare una eventuale scarsità di peso degli attrezzi frontali. Si fissa alla macchina sulla flangia attrezzi, bloccandola con i due dadi. (fig. 19).

FRESA

La fresa serve per rompere lo strato superficiale del terreno onde aumentare la permeabilità ed allo stesso tempo per liberarlo dalle erbe infestanti. La fresatura si può eseguire in prima velocità se il terreno è duro e tenace o in seconda se il terreno è sciolto o sabbioso. La profondità di fresatura può essere variata alzando od abbassando il coltello centrale posto sotto il corpo fresa. Per aumentare la profondità bisogna spostare il coltello verso l'alto. È buona norma iniziare il lavoro col coltello nella posizione più bassa ed alzarlo poi se si vuole ottenere maggiore profondità.

N.B.: Nei terreni duri, se la macchina tende a saltare in avanti, abbassare al massimo il coltello fissandolo nel terzo foro. Controllare che il montaggio dei coltelli sia corretto (vedi fig. 9).

RUOTINO SOSTEGNO FRESA

È molto utile nei trasferimenti della macchina perché tenendo sollevata la fresa dal terreno ne rende più agevole e meno faticosa la traslazione (fig. 21).

ASSOLCATORE REGISTRABILE

L'assolcatore registrabile è un attrezzo particolarmente studiato per eseguire solchi di semina o di irrigazione (fig. 10). Si applica come gli aratri e la fresa sulla flangia attacco attrezzi situata nella parte posteriore della scatola cambio. La possibilità di variare la posizione delle due ali permette la regolazione della larghezza del solco da un minimo di 10 ad un massimo di 30 centimetri. La profondità ottenibile può variare da 10 a 20 cm. Nel caso si debba operare in terreni particolarmente duri è opportuno eseguire prima una operazione di fresatura e quindi procedere al lavoro con l'assolcatore. Le prestazioni ottenibili possono essere aumentate montando le ruote pneumatiche 5.00-12 ed eventualmente le zavorre (fig. 18) che aumentano l'aderenza.

ASSOLCATORE RETROFRESA

Si applica posteriormente alla fresa e lavora congiuntamente ad essa, serve per tracciare solchi da irrigazione o semina (fig. 25).

ARATRI

Gli aratri (fig. 14) studiati per il motocoltivatore sono stati particolarmente messi a punto per ottenere dei buoni lavori di aratura senza affaticare eccessivamente l'operatore. Sono disponibili due tipi: monovomere oppure voltaorecchio a 180°. Quest'ultimo è particolarmente indicato dove si debbano eseguire lavorazioni nei due sensi, come rincalzature di filari di vigneti o frutteti. La profondità del solco ottenibile può variare dai 10 ai 15 cm a seconda del terreno. È consigliabile l'uso di ruote di ferro (fig. 23).

BARRA FALCIANTE

La barra falciante applicabile al motocoltivatore è a comando centrale. La costruzione robusta e l'elevato rendimento la rende il mezzo ideale per falciare piccoli appezzamenti di terreno dove non sia giustificato l'acquisto di una motofalciatrice, che rimarrebbe inutilizzata per gran parte dell'anno, mentre il motocoltivatore può essere utilizzato con altri attrezzi.

La barra va montata sull'attacco attrezzi del motocoltivatore, al posto della fresa, e fissata con gli stessi due dadi. Il manubrio va ruotato di 180° portandolo dalla parte del motore. Prima di ruotare il manubrio il cambio va messo in 1^a, quindi vanno sganciate le aste di comando marce e presa di forza.

Una volta girato il manubrio le aste vanno reinserite nei supporti superiori.

Per inserire il movimento alla lama bisognerà disattivare il dispositivo di sicurezza che impedisce l'innesto contemporaneo della retromarcia e della presa di forza (necessario invece per l'uso della fresa). Per fare ciò basterà togliere la vite che fa da contrasto contro la leva del cambio impedendo il doppio innesto (fig. 27 e 28).

Importante: se viene rimontata la fresa è obbligatorio rimettere nelle condizioni iniziali il dispositivo di sicurezza. Non si assumono responsabilità per la mancata osservanza di questa norma.

Manutenzione

Ingrassare ogni 8 ore di lavoro i perni della crociera attraverso l'ingrassatore posto sulla manovella oscillante. Ingrassare ogni 50 ore di lavoro anche la boccola di oscillazione barra, attraverso l'ingrassatore posto sotto la protezione oscillante. Per i punti di lubrificazione, consultare la fig. 30.

Mantenere registrata la lama con opportuna regolazione dei premilama che non debbono essere tanto stretti da bloccare la lama ma nemmeno permetterle un gioco eccessivo rispetto alle piastrine dei denti. Per effettuare le registrazioni dei premilama, si allentano le viti di bloccaggio (fig. 11-12) e si regola la vite di pressione. Quando i premilama sono consumati, conviene procedere alla loro sostituzione anche se possono premere ancora.

Registrare il gioco tra la lama e la striscia di consumo allentando le viti che fissano i premistriscia e spostando in avanti la striscia fino ad appoggiare contro l'asta che porta chiodate le sezioni lama. Bloccare poi di nuovo i premistriscia.

Per smontare la lama togliere l'attacco lama L smontando le due viti (fig. 30 N. 3) e sfilare la lama. Avere cura, dopo aver rimontato la lama, di stringere bene le viti di fissaggio dell'attacco.

Usare sempre lame ben affilate: la macchina forzerà meno e durerà di più.

Dopo ogni giornata di lavoro lavare la barra falciante liberandola da ogni residuo di erba o terra; controllare saltuariamente che tutte le viti siano ben serrate.

SPAZZANEVE

Questo attrezzo (fig. 13) studiato appositamente per questo motocoltivatore, è molto utile per lo sgombero della neve da piazzali, accessi di garage, ecc. È costituito da una fresa turbina, racchiusa in un apposito carter aperto sul davanti, che girando ad elevato regime di rotazione raccoglie la neve e la espelle attraverso un tubo di lancio ad inclinazione regolabile. La neve può essere così gettata fino ad una distanza di 8 - 10 m nella direzione voluta (a destra o a sinistra o in avanti con tutte le posizioni intermedie).

Lo spazzaneve si monta sulla flangia attacco attrezzi e si fissa con i due dadi. Il manubrio va ruotato di 180° portandolo dalla parte del motore; per far questo seguire le istruzioni date per il montaggio della barra falciante. Per mettere in rotazione lo spazzaneve bisognerà disattivare il dispositivo di sicurezza che impedisce l'innesto contemporaneo della retromarcia e della presa di forza (necessario invece per l'uso della fresa). Per far questo basterà togliere la vite posta sulla leva presa di forza (fig. 27).

Importante: se viene rimontata la fresa è obbligatorio rimettere nelle condizioni iniziali il dispositivo di sicurezza. Non si assumono responsabilità per la mancata osservanza di questa norma.

Lo spazzaneve è largo 70 cm ed è in grado di sgomberare la neve fino ad una altezza massima di 40 cm. Per ottenere delle buone prestazioni è consigliabile montare le zavorre. Nel caso la neve fosse molto bagnata è opportuno tenere la bocca di lancio diretta in avanti per evitare intasamenti nell'uscita. Le due slittine laterali vanno regolate in modo da sfiorare appena il terreno, se questo è ben piano (strade asfaltate), o da tenere alto lo spazzaneve se il terreno è accidentato.

Manutenzione

Terminato il lavoro è sempre opportuno rimuovere la neve rimasta nello spazzaneve per evitare che, gelando, blocchi la girante della turbina.

TRINCIAERBA

Il trinciaerba a lama rotante cm 75 per il motocoltivatore (fig. 15) è stato studiato per la manutenzione di appezzamenti con erbe alte. Infatti, l'elevata potenza a disposizione e le ruote motrici permettono di operare nelle condizioni più gravose senza affaticamento dell'operatore e con notevole risparmio di tempo.

Il trinciaerba si applica sull'attacco attrezzi del motocoltivatore e si fissa con i due dadi. Viene fornito con slittine laterali per le condizioni più gravose, oppure con una ruota anteriore di sostegno per erba bassa e terreni livellati. Il manubrio va ruotato di 180° portandolo dalla parte del motore: per fare ciò, seguire le istruzioni fornite per il montaggio della barra falciante. La trasmissione del movimento alla lama è ottenuta con una coppia di ingranaggi conici. La lama è dotata di uno scatto libero affinché, con la sua inerzia, non trascini la macchina quando si aziona la frizione. La regolazione dell'altezza di taglio viene effettuata agendo sulla posizione della ruotina anteriore oppure sulle slittine laterali. Verificare frequentemente il livello dell'olio nella scatola che porta la coppia conica. Aggiungere, se necessario, olio per gruppi cambio MP 80W/90.

TRINCIATUTTO

Il trinciatutto ha una larghezza di 68 cm ed è dotato di un rullo con zappe a Y oscillanti (fig. 16). Può tagliare erbe alte, canniccia e piccoli cespugli, ma anche rametti di potatura. Il prodotto tagliato è finemente sminuzzato. Usato con le lamette rasoerba al posto delle zappe a Y esegue un ottimo lavoro anche sul prato inglese.

RUSPA FRONTALE ORIENTABILE cm. 125

La sua robustezza la rende il mezzo ideale per togliere la neve e spianare cumuli di ghiaia o terriccio, è inclinabile a destra o a sinistra (fig. 26).

RIMORCHIO

Il rimorchio costruito per il motocoltivatore (fig. 17) è un accessorio molto utile per eseguire piccoli trasporti aziendali. La sua maneggevolezza, il ridotto ingombro e la rapida applicazione al motocoltivatore ne costituiscono le caratteristiche più salienti. Il rimorchio si può applicare direttamente al motocoltivatore lasciando montata la fresa e collegandolo all'apposito attacco di traino (fig. 20). Portata massima: 300 kg in piano.

TIRO TRAINO

Il tiro di traino serve per accoppiare il rimorchio al motocoltivatore, senza smontare la fresa. Questo attacco si fissa al gancio di traino del motocoltivatore (fig. 20).

DISTANZIALI PER RUOTE

Servono per allungare la carreggiata e aumentano quindi la stabilità della macchina sulle pendenze trasversali. Si montano interposti tra le ruote e i mozzi porta ruote e allargano la carreggiata di 6 cm per parte (fig. 22).

RUOTE METALLICHE A GABBIA

Queste ruote trovano particolare utilizzazione nell'impiego del motocoltivatore con fresa in terreni molto duri. Infatti le traversine poste sulla circonferenza delle ruote penetrano nel terreno realizzando quindi un buon ancoraggio della macchina a terra e impedendo alle ruote di slittare (fig. 23). Le ruote a gabbia si usano anche quando le altre ruote, gommate o in ferro strette, potrebbero slittare o sprofondare in terreni molli o soffici perché appena lavorati. L'uso delle ruote a gabbia è conveniente se limitato a questi casi. Negli altri casi in genere è consigliabile l'uso delle ruote pneumatiche, che, dove non siano richieste prestazioni di aderenza limite, danno alla macchina una trazione più regolare e fanno da cuscinetto elastico tra questa e il terreno. Sono disponibili anche anelli gemellari da accoppiare a dette ruote.

ZAVORRE PER RUOTE

Le zavorre si montano nei cerchi delle ruote e vengono fissate con due dei quattro dadi che fissano le ruote stesse. Servono ad aumentare il peso della macchina e quindi l'aderenza; sono consigliabili nei lavori con l'aratro, con l'assolcatore registrabile ed eventualmente con la fresa o il rimorchio se si vogliono ottenere prestazioni limite. Il loro peso è di 18 Kg. cadauna (fig. 18).

FRENI

Il motocoltivatore, per la sua leggerezza e manovrabilità, non ha normalmente bisogno di freni. Tuttavia, quando si lavora su forti pendenze può essere necessario disporre del freno. A tale scopo, su richiesta, vengono forniti due freni a tamburo, comandabili tramite due maniglie, da applicare sulla stegola.

MOTOCULTEURS 4 BIS ET 7 BISD

Cher Client,

Nous vous remercions de la confiance et de la préférence que vous avez bien voulu accorder à notre motoculteur et nous sommes certains que son usage répondra entièrement à vos exigences.

Pour une utilisation optimale et un entretien à long terme, nous vous demandons de lire attentivement et de suivre scrupuleusement les indications contenues dans cette brochure. Cela vous permettra d'obtenir d'excellents résultats et de sauvegarder votre investissement.

Nous vous demandons de conserver ce manuel qui devra toujours accompagner la machine.

ATTENTION! Lire attentivement les instructions avant de mettre le moteur en marche. Les précautions suivantes sont importantes pour votre sécurité!

RÈGLES DE SÉCURITÉ GÉNÉRALE

La prudence est la meilleure arme pour la prévention des accidents!

Nous vous demandons de lire attentivement les normes suivantes avant même de commencer le travail.

L'utilisation inadéquate du motoculteur et de son équipement peut être dangereuse. Pour réduire ces éventualités de danger, veuillez respecter les précautions nécessaires décrites ci-après:

- 1) Lire entièrement ce manuel avant d'allumer et de mettre en mouvement la machine.
- 2) Suivre avec une attention particulière les mises en garde et les étiquettes de sécurité placées autour de la machine.
- 3) La rotation de la fraise est extrêmement dangereuse, **ne jamais mettre les mains ou les pieds sous la fraise.**
- 4) Avant de confier votre motoculteur à d'autres personnes, il faut leur illustrer aussi bien les normes de sécurité que le mode d'emploi.
- 5) Avant d'allumer le motoculteur, vérifier qu'il n'y a personne aux alentours et, en particulier, qu'il n'y a pas d'enfants.
- 6) Ne pas utiliser le motoculteur en cas de fatigue et ne pas boire d'alcools.
- 7) Contrôler le terrain avant d'effectuer le fraisage, vérifier qu'il n'y a pas de pierres, de bâtons ou de corps étrangers qui pourraient endommager la machine ou être lancés au loin et donc devenir très dangereux.
- 8) **Avant de commencer le travail, mettre des vêtements de travail appropriés, des gants, des bottes et des lunettes.**
- 9) Ne pas utiliser le motoculteur sur des pentes abruptes car il pourrait se renverser.
- 10) Ne pas faire travailler des personnes trop jeunes; l'utilisation de la machine est interdite aux mineurs de 16 ans.
- 11) Ne pas faire marche arrière avec le moteur accéléré.
- 12) Il est dangereux d'actionner brusquement les leviers, avec le moteur à plein régime.
- 13) Pour éviter le danger d'exhalaisons toxiques, ne pas faire tourner le moteur dans un local fermé.
- 14) Éteindre toujours le moteur avant de faire le plein de combustible; s'éloigner des étincelles ou des flammes et ne pas fumer!
- 15) Éviter les fuites de combustible; après avoir rempli le réservoir, nettoyer soigneusement les fuites avant d'activer le moteur.
- 16) **Ne pas altérer ou désactiver les dispositifs de sécurité.**
- 17) **N'effectuer aucun réglage ou nettoyage avec le moteur en marche.**
- 18) **Ne pas faire contrôler la machine lorsque le conducteur est au volant avec le moteur en marche.**
- 19) L'utilisateur est toujours responsable des dommages occasionnés aux tiers.
- 20) Toute utilisation impropre annule la garantie et supprime la responsabilité du constructeur.
- 21) Les houes déformées ou endommagées doivent être remplacées, jamais réparées.
- 22) Utiliser toujours des pièces de rechange Grillo d'origine.
- 23) Avant de commencer tout travail avec la machine, vérifier que tous les dispositifs contre les accidents dont la machine est équipée fonctionnent parfaitement. Il est formellement interdit de les couper ou de les modifier.
- 24) Avant de commencer le travail, contrôler que les vis et écrous de blocage de la fraise et des houes sont bien serrés.
- 25) Les équipements de protection (capots, garde-boue, etc.) doivent être maintenus durant le travail.
- 26) Ne pas nettoyer la fraise lorsque le moteur est allumé.
- 27) Ne pas utiliser la machine nu-pieds.
- 28) En cas d'utilisation de la fraise, ne pas employer l'attache rapide ou d'éventuels prolongements qui pourraient positionner la fraise trop près des pieds de l'opérateur, annulant ainsi la conformité de la machine à la norme de sécurité PrEN 709.
- 29) La rotation de la lame de la tondeuse est très dangereuse: **ne jamais mettre les mains ou les pieds sous la tondeuse.**
- 30) Stocker le carburant dans des contenants spécifiquement prévus à cet effet.
- 31) Ne pas modifier les réglages du moteur, en particulier le nombre de tours maximal.
- 32) Laisser refroidir le moteur avant d'entreposer la machine dans des locaux fermés.
- 33) **ATTENTION:** pour réduire tout danger d'incendie, éliminer les herbes, les feuilles et la poussière qui pourraient obstruer le moteur, le pot et les collecteurs d'échappement.
- 34) Effectuer l'éventuelle vidange du réservoir du carburant en plein air.
- 35) Utiliser la tondeuse uniquement en plein jour ou avec un bon éclairage artificiel.

IDENTIFICATION ET ASSISTANCE

IDENTIFICATION

Le numéro de série de la machine est estampillé sur la plaque signalétique placée au niveau du châssis. Le numéro de série doit toujours être cité dans toute demande d'intervention technique et sur les commandes de pièces de rechange.



SERVICE ASSISTANCE

Cette brochure fournit les indications pour l'usage du motoculteur et pour un correct entretien de base, réalisable par l'utilisateur. Pour les interventions non décrites dans ce Manuel, contacter le Revendeur de Zone.

PIÈCES DE RECHANGE

Nous recommandons d'utiliser exclusivement des pièces détachées d'origine, les seules qui offrent des caractéristiques de sécurité et d'interchangeabilité.

Dans toute demande ou commande doit être indiqué le numéro de série. Pour les pièces de rechange relatives au moteur, respecter les indications contenues dans la brochure spécifique.

GARANTIE

La garantie est assurée selon les modes et les limites prévus par la loi en vigueur.

Pour le moteur, ce sont les conditions prévues par les Fabricants respectifs qui sont valables.

PIÈCES DE RECHANGE QUE NOUS VOUS CONSEILLONS DE TENIR EN RÉSERVE:

Pour le motoculteur:

- 1 fil accélérateur
- 1 fil embrayage
- 1 manette accélérateur
- 1 levier d'embrayage

Pour la barre de coupe:

- 1 lame complète
- 2 attache-lames

COMMENT COMMANDER LES PIÈCES DE RECHANGE

Indiquer toujours le numéro de série de la machine et la référence de la pièce à remplacer. S'adresser à nos Centres de pièces de rechange qui se trouvent dans chaque département. Voici notre adresse:

GRILLO S.p.A.

Via Cervese 1701 - 47521 CESENA (FC) - ITALIE

Tél. 0039 / 0547 / 633111 - Fax 0039 / 0547 / 632011

Web site: www.grillospa.it - E-mail: grillo@grillospa.it

CARACTÉRISTIQUES TECHNIQUES 4 BIS

MOTEUR: ROBIN SUBARU EX 27; LOMBARDINI 15LD350. Versions avec installation électrique disponibles.

EMBRAYAGE: à sec par commande manuelle.

BOÎTE DE VITESSES: à engrenages

Version motoculteur: 4 vitesses, dont 3 AV + 1 AR

Version faucheuse: 3 vitesses, dont 1 AV + 2 AR.

VITESSE avec roues 4.00-8: I – 1,1 / II – 2,6 / III – 11,5 / RM I – 2,4.

PRISE DE FORCE: à 965 tours indépendants de la boîte de vitesses avec moteur à 3600 tours/min.

ROUES: pneumatiques 4.00-8, 4.00-10, 5.00-10.

FRAISE: standard mm 580 réglable à mm 370 – 470 – 680.

MANCHERON: réglable en hauteur et latéralement en plusieurs positions – réversible.

CHAUSSÉE: dimensions externes

avec roues pneumatiques 4.00-8: 350 – 420 mm;

avec roues métalliques à cage: 340 – 460 – 570 mm.

ACCESSOIRES: fraise, double fraise, barre de coupe, turbine à neige, charrue, buttoir, broyeur d'herbe, broyeur à fléaux, remorque tractée, roue support fraise, barre d'attelage, masses, roues en fer, lame orientable, balayeuse.

POIDS avec fraise, roues 5.00-10 et moteur Diesel: 142 Kg.

CARACTÉRISTIQUES TECHNIQUES 7 BISS

MOTEUR: ROBIN SUBARU EX 27; LOMBARDINI 15LD350. Versions avec installation électrique disponibles.

EMBRAYAGE: à sec par commande manuelle.

BOÎTE DE VITESSES: à engrenages

Version motoculteur: 7 vitesses, dont 5 AV + 2 AR

Version faucheuse: 4 vitesses, dont 2 AV + 1 AR.

VITESSE avec roues 4.00-8: I – 1,1 / II – 2,01 / III – 2,54 / IV – 5,07 / V – 11,07 / **RM I** – 1,24 / **RM II** – 3,14.

PRISE DE FORCE: à 965 tours indépendants de la boîte de vitesses avec moteur à 3600 tours/min.

ROUES: pneumatiques 4.00–8, 4.00–10, 5.00–10.

FRAISE: standard mm 580 réglable à mm 370 – 470 – 680.

MANCHERON: réglable en hauteur et latéralement en plusieurs positions – réversible.

CHAUSSÉE: dimensions externes

avec roues pneumatiques 4.00–8: 350 – 420 mm;

avec roues métalliques à cage: 340 – 460 – 570 mm.

OUTILS ET ACCESSOIRES: fraise, double fraise, barre de coupe, turbine à neige, charrue, buttoir, broyeur d'herbe, broyeur à fléaux, remorque tractée, roue support fraise, barre d'attelage, masses, roues en fer, lame orientable, balayeuse.

POIDS avec fraise, roues 5.00-10 et moteur Diesel: 143 Kg.

MODE D'EMPLOI

MISE EN SERVICE DE LA MACHINE

- 1) Contrôler que la machine est intacte et qu'elle n'a pas été endommagée durant le transport.
- 2) Remplir de graisse la prise de force de la machine au niveau de l'accouplement (fig. 1 n. 20 et fig. 3 n. 20).
- 3) Placer le guidon dans la position désirée, motoculteur ou motofaucheuse, en utilisant les deux leviers (fig. 1 n. 8 et 13; fig. 3 n. 8 et 13).
- 4) Monter les roues et l'accessoire désiré (par ex. fraise, charrue, etc.), en veillant à bien serrer les écrous de blocage.
- 5) Introduire l'huile moteur en respectant les indications contenues dans le manuel fourni avec la machine.
- 6) Contrôler le niveau de l'huile dans la boîte de vitesses (fig. 6).
- 7) Introduire l'huile dans le filtre à air à bain d'huile (pour les versions équipées de ce type de filtre), utilisant le même type d'huile que pour le moteur (fig. 7A).
- 8) Monter les leviers de commande (fig. 1 n. 9 et 12; fig. 3 n. 3, 9 et 12).
- 9) Vérifier la pression des pneus (voir tableau ci-dessous).

PRESSION PNEUS		
4.00 - 8	2 PLY RATING	1,1 bar
4.00 - 10	2 PLY RATING	1,1 bar
5.00 - 10	2 PLY RATING	1,5 bar
5.00 - 12	2 PLY RATING	1,5 bar

- 10) Pour les versions à démarrage électrique, contrôler le voltage de la batterie, celui-ci ne devant pas être inférieur à 12,5 V; si nécessaire, effectuer la recharge de la batterie.

IMPORTANT! Éviter d'inverser les polarités de la batterie durant le montage.

- 11) Contrôler que le câble d'embrayage a un peu de jeu (5/8 mm) entre le réglage et le levier.
- 12) Remplir le réservoir de carburant au moyen d'un entonnoir muni d'un filtre très fin.
- 13) Effectuer les contrôles des niveaux, la machine étant placée en position parfaitement horizontale.

CONTRÔLES À EFFECTUER AVANT LE DÉMARRAGE

Avant de mettre en marche le moteur, effectuer toujours les vérifications suivantes:

- Contrôler les niveaux de l'huile dans le moteur (fig. 5) et dans la boîte de vitesses; le bouchon du niveau est placé sur le couvercle supérieur (fig. 6); le niveau de l'huile doit se situer entre les deux bords.
- Contrôler que toutes les vis et tous les écrous sont bien serrés, en particulier les éléments de fixation des houes et des outils au motoculteur.
- Contrôler que tous les leviers sont au point mort.
- Vérifier que le filtre à air est propre (version à sec) (fig. 7). Attention! Ne pas souffler le filtre avec de l'air comprimé; s'il est bouché, il faut le remplacer.
- Vérifier que le filtre à air (version à bain d'huile) est propre et vérifier le niveau de l'huile (fig. 7A).
- Vérifier que le levier d'embrayage a un peu de jeu (fig. 8).
- Contrôler le niveau de l'huile du carter fraise (fig. 2 n. 22 et fig. 4 n. 22).
- Remplir le réservoir de carburant à l'aide d'un entonnoir muni d'un filtre très fin.

DÉMARRAGE DU MOTEUR A EXPLOSION

Enclencher le motor stop (fig. 1 n. 25 – fig. 3 n. 25). Ouvrir le robinet du carburant, pousser jusqu'à mi-course le levier de commande gaz et, si le moteur est froid, actionner le starter situé sur le carburateur. Remettre le moteur en route en tirant sur la manette du lanceur (fig. 1 n. 6 – fig. 3 n. 6).

DÉMARRAGE DU MOTEUR DIESEL

Enclencher le motor stop (fig. 1 n. 25 – fig. 3 n. 25). Pousser jusqu'à mi-course le levier de commande gaz, ensuite appuyer sur le levier de décompression placé sur la culasse du moteur jusqu'à ce qu'il s'enclenche et mettre en marche le moteur en tirant sur la manette du lanceur (fig. 1 n. 6 - fig. 3 n. 6).

MISE EN MARCHÉ DE LA MACHINE

Tirer le levier de l'embrayage et placer le levier de la boîte de vitesses dans la position souhaitée. Au cas où la vitesse ne s'enclencherait pas immédiatement, donner de petits coups d'embrayage. Relâcher lentement l'embrayage jusqu'à ce que la machine se met en marche.

Attention: Si la prise de force est activée, il ne sera pas possible d'enclencher la marche arrière. Dans ce cas, désactiver la prise de force, ensuite enclencher la marche arrière.

DÉBUT DU TRAVAIL

Tirer le levier de l'embrayage et engager la prise de force en donnant de petits coups d'embrayage si la prise de force ne s'enclenche pas immédiatement. Accélérer opportunément le moteur et relâcher l'embrayage en commençant le travail.

FIN DU TRAVAIL

Une fois terminé le travail, arrêter le moteur en mettant la boîte vitesses au point mort et en relâchant le levier du motor-stop (fig. 1 n. 18 - fig. 3 n. 18).

Si le motoculteur est équipé de démarrage électrique, il est obligatoire de déconnecter la clé de démarrage.

INCONVÉNIENTS POSSIBLES ET REMÈDES

Dans liste suivante sont représentés des petits inconvénients pouvant survenir lors de l'utilisation du motoculteur et que le client peut résoudre directement:

- 1) Le moteur ne démarre pas: moteur à explosion. Vérifier dans l'ordre:
 - que le réservoir d'essence est au moins à moitié plein;
 - que le robinet d'essence est ouvert;
 - que le starter est actionné (si le moteur est froid);
 - que l'essence arrive au carburateur;
 - que l'ouverture de l'évent sur le bouchon du réservoir n'est pas bouché;
 - que le filtre à filet à l'entrée du carburateur est propre;
 - que les gicleurs du carburateur sont propres. Pour contrôler les gicleurs, les dévisser et, s'ils sont sales, les nettoyer au moyen d'un jet d'air.
 - que la bougie jette l'étincelle. Pour effectuer ce contrôle, démonter la bougie, la raccorder au câble qui apporte le courant, appuyer la partie métallique à la masse et faire tourner la poulie du moteur comme pour le faire démarrer. Si aucune étincelle ne jaillit entre les deux électrodes, contrôler les connexions du câble de la bougie et si le courant n'arrive toujours pas, remplacer la bougie. En cas de nouvel échec, rechercher la panne dans l'installation électrique, dans le condensateur ou dans la bobine, ou dans quelque autre organe.

Il convient alors de s'adresser au service après-vente le plus proche.

- 2) Le moteur ne démarre pas: moteur diesel. Vérifier dans l'ordre:
 - que l'ouverture de l'évent du bouchon du réservoir n'est pas bouchée;
 - que le réservoir du gasoil est au moins à moitié plein.

Si le moteur ne démarre toujours pas, s'adresser au service après-vente le plus proche.

- 3) Les vitesses ne s'enclenchent pas:
 - régler l'embrayage en dévissant la vis de réglage jusqu'au décolllement de l'embrayage. Veiller à ne pas annuler complètement le jeu.
- 4) Motoculteur avec barre de coupe. Si la plaque attache-lame se casse souvent (figure 30 n. 3).
 - vérifier que les serre-lames ne sont pas trop serrés.
- 5) Motoculteur avec barre de coupe. Vérifier si le terrain est rocailleux et, dans l'affirmative, abaisser les glissières de réglage de la hauteur de coupe pour maintenir la barre de coupe plus haute et éviter que les petits cailloux s'intercalent entre les dents et la lame.

ENTRETIEN ET LUBRIFICATION

Un entretien efficace et une lubrification correcte contribuent à maintenir la machine en parfait état de marche.

RODAGE

Après les 20 premières heures de travail, il faut remplacer l'huile moteur.

MOTEUR

Pour les intervalles de lubrification, suivre les normes contenues dans la notice moteur. En général, il est opportun de contrôler le niveau de l'huile toutes les 4 heures de travail et de changer l'huile toutes les 50 heures. Utiliser toujours l'huile **15W40**. Pour le filtre à air, contrôler le niveau de l'huile toutes les 8 heures et même plus fréquemment si l'environnement est très poussiéreux. Pour rétablir le niveau, utiliser la même huile du moteur (voir manuel moteur) pour les versions avec filtre à sec, remplacer le filtre s'il est bouché (ne pas utiliser de jets d'air pour le nettoyer).

BOÎTE DE VITESSES

Vérifier le niveau de l'huile toutes les 50 heures de travail: retirer le bouchon et contrôler, en maintenant la machine dans la position horizontale, que le niveau de l'huile se situe entre les deux bords. Si nécessaire, ajouter de l'huile 80W/90 (correspondance internationale API GL5 huile, US MIL-L-2105D, à raison de 2,2 litres pour le 4BIS et 1,9 litres pour le 7BIS). Changer l'huile une fois par an.

FRAISE

Contrôler le niveau de l'huile toutes les 50 heures, en dévissant le bouchon (fig. 2 n. 22 - fig. 4 n. 22); l'huile doit presque remplir la boîte fraise (quantité : 0,4 kg). Si nécessaire, ajouter la même huile utilisée pour la boîte de vitesses.

RÈGLES UTILES POUR UN BON USAGE:

- 1) Ne pas maintenir l'embrayage débrayé pendant beaucoup de temps.
- 2) Ne jamais laisser la machine sous la pluie.
- 3) Vérifier que le mécanisme d'inversion dans le support du guidon est propre et huilé.
- 4) Ne pas forcer la boîte de vitesses si la vitesse ne passe pas: pendant que la vitesse s'enclenche, donner de petits coups sur l'embrayage.
- 5) Ne jamais forcer le moteur; lorsque de la fumée sort du pot d'échappement, le moteur est forcé: ralentir!
- 6) Il est également possible de piocher des terrains extrêmement difficiles si l'on effectue, préalablement, un bon rodage de la machine.
- 7) Ne jamais travailler à plein gaz.
- 8) Si, au cours de la première journée d'utilisation, la machine chauffe un peu, arrêter le travail, car elle a besoin de se reposer.
- 9) Contrôler souvent la pression des pneus.
- 10) Lors du montage des outils (par ex. la fraise), **veiller à ne pas abîmer le centrage** (fig. 29).

ENTRETIEN DE FIN DE SAISON

Laver soigneusement la machine; changer l'huile du moteur, du carter boîte de vitesses et de la transmission de la fraise; nettoyer le filtre à air. Repasser et enduire de graisse les houes et changer les houes usées.

PÉRIODES DE LONGUE INACTIVITÉ

Si la machine reste inutilisée pendant une longue période, il est opportun d'adopter les précautions suivantes:

- déverser le carburant;
- déverser l'huile du moteur;
- laver soigneusement le moteur et la machine;
- huiler le mécanisme d'inversion dans le support du guidon.

ACCESSOIRES

Attention

En montant les divers outils sur la bride d'attache outils, il faut faire coïncider parfaitement le bridage de la machine avec le bridage de l'outil, de manière à maintenir un parfait centrage. Les écrous des deux prisonniers doivent être placés l'un à côté de l'autre à la main jusqu'en fin de course puis serrés à l'aide d'une clef de manière à ce qu'ils serrent en même temps sur le bridage (fig. 29).

ATTACHE RAPIDE

L'attache rapide a été spécialement étudiée pour permettre une application aisée des différents accessoires sur la machine; en effet, il permet de démonter l'accessoire en tirant un simple levier, sans l'aide d'aucun outil. L'attache rapide se compose de deux parties; l'une doit être fixée à la machine et l'autre à l'accessoire. Nous conseillons donc d'acheter une seule pièce de la partie qui se fixe sur la machine et une pièce de l'autre partie pour chaque accessoire que l'on désire appliquer (fig. 24). Lubrifier avec de la graisse toutes les 50 heures.

RALLONGE POUR OUTILS

Cet accessoire peut être utilisé pour équilibrer la machine si les outils frontaux sont trop légers. On fixe la rallonge à la machine en correspondance de la bride d'attache outils, en la bloquant avec les deux écrous (fig. 19).

FRAISE

La fraise sert à briser la couche superficielle du terrain pour en augmenter la perméabilité et en même temps pour le débarrasser des mauvaises herbes. Le fraisage peut être effectué en première vitesse si le terrain est dur et tenace, ou en deuxième vitesse si le terrain est fondu ou sablonneux.

Il est possible de régler la profondeur de fraisage en levant ou en abaissant la lame centrale située sous le corps de la fraise. Pour augmenter la profondeur, il est nécessaire de déplacer la lame vers le haut. Il est conseillé de commencer le travail avec la lame abaissée au maximum, et de la tirer vers le haut si l'on veut obtenir une profondeur plus importante.

Attention: Si, sur les terrains très durs, la machine tend à sauter en avant, il est nécessaire d'abaisser au maximum la lame en la fixant dans le troisième trou. Contrôler que le montage des lames est correct (fig. 9).

ROUE DE SUPPORT POUR FRAISE

Cet accessoire est très utile pour déplacer la machine car il maintient la fraise soulevée du sol et facilite ainsi le transfert (fig. 21).

BUTTEUR RÉGLABLE

Le butteur réglable est un outil spécialement étudié pour exécuter des sillons de semence ou d'irrigation (fig. 10). Il est placé, comme les charrues et la fraise, sur la bride d'attache outils située à l'arrière de la boîte de vitesses.

La possibilité de varier la position des deux ailes permet le réglage de la largeur du sillon de 10 cm au minimum à 30 cm au maximum. La profondeur obtenue peut varier de 10 à 20 cm. Dans le cas où les terrains seraient particulièrement durs, il convient d'exécuter en premier lieu une opération de fraisage puis de continuer le travail avec le butteur.

Pour obtenir de meilleurs résultats, installer les roues pneumatiques 5.00-12 et éventuellement les lests (fig. 18) qui augmentent l'adhérence.

BUTTEUR COMBINÉ

Il est monté derrière la fraise et travaille conjointement avec cette dernière. Il sert à tracer des sillons d'irrigation ou de semences (fig. 25).

CHARRUES

Les charrues (fig. 14) pour le motoculteur ont été spécialement étudiées pour obtenir de bons labours sans fatiguer excessivement l'opérateur. Deux versions sont disponibles: la charrue simple et le brabant demi-tour à 180°. Ce dernier est particulièrement indiqué lorsque l'on doit travailler dans les deux sens, par exemple pour les buttages de rangées de vignes ou de fruitiers. La profondeur du sillon peut varier de 10 à 15 cm selon le terrain. Il est recommandé d'utiliser des roues en fer (fig. 23).

BARRE DE COUPE

La barre de coupe applicable au motoculteur est à commande centrale. La construction robuste et le rendement élevé font de la barre de coupe l'outil idéal pour faucher de petites parcelles de terrain lorsque l'achat d'une motofaucheuse n'est pas justifié car elle resterait inutilisée pendant une grande partie de l'année alors que le motoculteur peut être utilisé avec d'autres accessoires. La barre doit être installée sur la bride attache-outils du motoculteur, à la place de la fraise, et fixée au moyen des mêmes deux écrous. Tourner le guidon de 180° et le placer du côté du moteur. Avant de tourner le guidon, mettre la première vitesse et déconnecter les leviers de commande vitesses et prise de force. Une fois le guidon tourné, les leviers doivent être replacés dans les supports supérieurs.

Pour connecter le mouvement à la lame, il faudra désamorcer le dispositif de sécurité qui empêche l'embrayage

simultané de la marche arrière et de la prise de force (nécessaire pour l'emploi de la fraise). Il suffira alors d'enlever la vis contrastant le levier de la boîte de vitesses, empêchant ainsi le double embrayage (fig. 27 et 28).

Important: lorsque l'on remonte la fraise, il est obligatoire de remettre le dispositif de sécurité dans les conditions initiales. Nous déclinons toute responsabilité pour la non-observation de cette règle.

Entretien

Graisser toutes les 8 heures de travail les pivots du croisillon avec le graisseur situé sur la manivelle oscillante. Graisser toutes les 50 heures de travail la boîte d'oscillation barre avec le graisseur situé sous la protection oscillante. Consulter les points de graissage sur la fig. 30.

Régler la lame et les serre-lames qui ne doivent pas être serrés au point de bloquer la lame ni permettre un jeu excessif par rapport aux plaques des dents. Pour effectuer les réglages des serre-lames pour les deux types, il est nécessaire de desserrer les vis de blocage (figures 11-12) et de régler la vis de pression. Lorsque les serre-lames sont usés, il faut procéder à leur remplacement, même s'ils peuvent encore servir. Régler le jeu entre la lame et la bande d'usure, en desserrant les vis qui fixent les serre-bandes et en déplaçant vers l'avant la bande jusqu'à ce qu'elle touche la barre contenant les sections lame clouées. Bloquer de nouveau les serre-bandes. Pour démonter la lame, enlever l'attache-lame L en démontant les deux vis (fig. 30 n. 3) et désenfiler la lame. Après avoir réinstallé la lame, veiller à bien serrer les vis de fixation de l'attache.

Utiliser toujours des lames bien aiguisées: la machine forcera moins et durera plus longtemps.

A la fin de chaque journée de travail, laver la barre faucheuse en enlevant tout résidu d'herbe ou de terre; contrôler de temps en temps que toutes les vis sont bien serrées.

CHASSE-NEIGE

Cet appareil (fig. 13) conçu spécialement pour ce motoculteur est très utile pour le déblaiement de la neige des aires de stationnement, des accès de garage, etc. Il est constitué d'une fraise turbine enfermée dans un carter spécial ouvert sur le devant, lequel, en tournant à un régime de rotation élevé, absorbe la neige et l'expulse à travers un tube de lancement à inclinaison variable. La neige peut être ainsi propulsée à une distance de 8-10 mètres dans la direction souhaitée (à droite ou à gauche ou en avant avec toutes les positions intermédiaires). Le chasse-neige est monté sur la bride d'attache outils et fixé au moyen de deux écrous. Tourner le guidon de 180° en l'amenant sur le côté du moteur; pour cela, suivre les instructions données pour le montage de la barre de coupe. Pour faire tourner le chasse-neige, il est nécessaire de désamorcer le dispositif de sécurité qui empêche l'embrayage simultané de la marche arrière et de la prise de force (nécessaire pour l'emploi de la fraise). A cette fin, enlever la vis située sur le levier de prise de force (fig. 27).

Important: si l'on souhaite remonter la fraise, il est obligatoire de remettre dans les conditions initiales le dispositif de sécurité. Nous déclinons toute responsabilité pour la non-observation de cette règle.

Le chasse-neige a une largeur de 70 cm et peut déblayer une hauteur de neige maximum de 40 cm. Pour obtenir de bonnes prestations, il est recommandé de monter les lests. Lorsque la neige est très mouillée, il est opportun de tenir l'ouverture du tube de lancement dirigée en avant pour éviter l'engorgement au niveau de la sortie. Les deux petites glissières latérales devront être réglées de manière à effleurer le terrain, si ce dernier est bien plat (routes goudronnées), ou de manière à maintenir élevé le chasse-neige si le terrain est accidenté.

Entretien: une fois le travail terminé, il est toujours opportun d'enlever la neige restée bloquée dans le chasse-neige pour éviter, qu'en gelant, elle bloque la roue de la turbine.

BROYEUR D'HERBE

Le broyeur d'herbe à lame rotative 75 cm applicable au motoculteur (fig. 15) a été conçu pour l'entretien de terrains avec herbes hautes. En effet, la puissance élevée et les roues motrices permettent de travailler dans des conditions difficiles sans fatiguer l'opérateur et en épargnant beaucoup de temps.

Le broyeur se monte sur la bride attache outils du motoculteur et se fixe par le biais des deux écrous. Il est fourni avec deux glissières latérales pour les conditions de travail les plus difficiles et avec une roue antérieure pour herbe basse et terrains nivelés. Tourner le guidon de 180° en l'amenant sur le côté du moteur; pour cela, suivre les instructions données pour le montage de la barre de coupe. La transmission du mouvement à la lame se fait par un couple d'engrenages coniques. La lame est équipée d'un dispositif empêchant à la machine d'être propulsée par inertie après l'actionnement de l'embrayage. Le réglage de la hauteur de coupe se fait en intervenant sur la position de la roue antérieure ou des glissières.

Vérifier fréquemment le niveau de l'huile dans la boîte de la transmission. Si nécessaire, ajouter huile pour boîtes de vitesses MP 80W/90.

BROYEUR A FLÉAUX

Le broyeur à fléaux a une largeur de 68 cm et il est équipé d'un rouleau avec couteaux à Y flottants (fig. 16). Il peut couper l'herbe haute, les petites cannes et les petits arbustes, ainsi bien que de petites émondées. Le produit coupé est finement haché. Lorsque, à la place des couteaux à Y, l'on monte les palettes à herbe, la coupe est optimale même sur le gazon anglais.

LAME ANTÉRIEURE ORIENTABLE 125 cm

Elle est, par sa robustesse, le moyen idéal pour balayer la neige, pour niveler le gravier ou le terreau. Elle est inclinable à droite et à gauche (fig. 26).

REMORQUE TIRÉE

La remorque construite pour le motoculteur (fig. 17) est un accessoire très utile pour effectuer de petits transports dans l'exploitation. Le maniement facile, le faible encombrement et la rapide application au motoculteur constituent les caractéristiques les plus importantes de cet accessoire. Il est possible d'ajuster la remorque directement au motoculteur, en laissant la fraise et en reliant la remorque à l'attache spéciale de remorquage (fig. 20). Capacité de charge maximale: 300 kg sur terrain plat.

ATTELAGE POUR REMORQUE

L'attelage pour remorque sert à attacher la remorque au motoculteur sans démonter la fraise. Cette attache se fixe au crochet de remorquage du motoculteur (fig. 20).

ENTRETOISES POUR ROUES

Elles servent à élargir la voie et augmentent ainsi la stabilité de la machine sur les pentes transversales. Elles s'intercalent entre les roues et les moyeux porte-roues et élargissent la voie de 6 cm de chaque côté (fig. 22).

ROUES METALLIQUES À CAGE

Ces roues sont surtout utilisées lors de l'emploi du motoculteur avec fraise sur des terrains très durs. En effet, les petites barres placées sur la circonférence des roues pénètrent dans le terrain, en assurant ainsi un bon ancrage et en empêchant les roues de patiner (fig. 23). Les roues à cage sont aussi utilisées lorsque les autres roues étroites, caoutchoutées ou en fer, pourraient patiner ou s'enfoncer dans des terrains mous ou moelleux car récemment travaillés. L'utilisation des roues à cage est pratique uniquement dans ces cas-là. Dans les autres cas, il est en général recommandé d'utiliser des roues pneumatiques qui, lorsque des prestations d'adhérence limite ne sont pas requises, donnent à la machine une traction plus régulière et servent de coussin élastique entre la machine et le terrain. Sont également disponibles des anneaux jumeaux à monter sur les roues.

LESTS POUR ROUES

Les lests doivent être installés dans les cercles des roues et fixés au moyen de deux des quatre écrous qui fixent les roues. Ils servent à augmenter le poids de la machine et par conséquent, son adhérence; ils sont recommandés dans les travaux avec la charrue, le butteur réglable et éventuellement avec la fraise ou la remorque pour obtenir des performances limite. Leur poids est de 18 kg chacun (fig. 18).

FREINS

Le motoculteur, pour sa légèreté et manœuvrabilité, normalement n'a pas besoin de freins. Pourtant, quand on travaille sur des pentes accentuées, un frein peut être nécessaire. C'est pour ça que sur demande on fournit deux freins à tambour qui se commandent à l'aide de deux poignées à appliquer au guidon.

EINACHSSCHLEPPER “GRILLO 4 BIS” - “GRILLO 7 BISD”

Sehr geehrter Kunde,

wir danken Ihnen für Ihr Vertrauen, und sind sicher, dass Sie mit Ihrem neuen Einachsschlepper voll und ganz zufrieden sein werden. In diesem Handbuch finden Sie alles, was Sie für den Gebrauch und die Wartung Ihrer Maschine wissen müssen. Lesen Sie es daher aufmerksam durch, und halten Sie sich genau an die Anleitungen, damit Sie auch wirklich immer optimale Resultate erzielen und lange Freunde an Ihrer Maschine haben werden. Bewahren Sie dieses Handbuch immer zusammen mit der Maschine auf.

ACHTUNG! Vor dem Anlassen des Motors die folgenden sicherheitstechnischen Hinweise genau durchlesen. Sie sind wichtig für Ihre Unversehrtheit!

SICHERHEITSTECHNISCHE HINWEISE

Vorsicht ist immer die beste Maßnahme, um Unfälle zu vermeiden!

Lesen Sie die folgenden Hinweise genau durch, bevor Sie mit der Arbeit beginnen.

Ein unsachgemäßer Gebrauch der Maschine und ihrer Ausrüstung kann Personen- oder Sachschäden zur Folge haben. Um alle eventuellen Risiken auf ein Minimum zu reduzieren, sind die folgenden Hinweise genauestens zu beachten.

- 1) Lesen Sie dieses Handbuch vor der ersten Benutzung der Maschine sorgfältig und ganz durch.
- 2) Die auf der Maschine angebrachten Hinweise bzw. Plaketten beachten.
- 3) **Hände und Füße von der rotierenden Fräse fernhalten - Verletzungsgefahr!**
- 4) Soll die Maschine von einer anderen Person benutzt werden, ist diese vorher genauestens im Gebrauch und über die Unfallverhütungsmaßnahmen zu unterweisen.
- 5) Vergewissern Sie sich vor dem Einschalten der Maschine, dass sich keine anderen Personen und vor allem keine Kinder in der Nähe befinden.
- 6) Das Gerät auf keinen Fall benutzen, wenn Sie unter Alkoholeinfluss stehen und/oder müde sind.
- 7) Vor dem Fräsen den Boden kontrollieren; Steine, Stöcke oder andere Gegenstände können von der Fräse weggeschleudert werden oder die Maschine beschädigen, und müssen daher entfernt werden.
- 8) **Beim Arbeiten immer geeignete Arbeitskleidung, Handschuhe, Arbeitsschuhe und Schutzbrillen tragen.**
- 9) Die Maschine nicht auf steilen Hängen einsetzen; sie könnte sich überschlagen.
- 10) Das vorgeschriebene Mindestalter für die Benutzung der Maschine beträgt 16 (sechzehn) Jahre.
- 11) Im Rückwärtsgang nur langsam fahren.
- 12) Bei hohen Motordrehzahlen müssen die Bedienungshebel “mit Gefühl” benutzt werden.
- 13) Den Motor nicht in geschlossenen Räumen laufen lassen (Vergiftungsgefahr - gefährliche Abgase).
- 14) Beim Nachtanken den Motor immer abschalten, nicht rauchen, und offene Flammen bzw. Funken aus dem Gefahrenbereich entfernen.
- 15) Keinen Treibstoff verschütten, und beim Tanken ausgetretenen/verschütteten Treibstoff vor dem Anlassen des Motors entfernen.
- 16) **Die Sicherheitsvorrichtungen auf der Maschine niemals außer Funktion setzen bzw. entfernen!**
- 17) **Niemals mit laufendem Motor Reinigungsarbeiten bzw. Einstellungen durchführen.**
- 18) **Die Maschine niemals von einer anderen Person kontrollieren lassen, während Sie selbst sie bedienen und der Motor läuft.**
- 19) Der Benutzer ist immer für anderen Personen zugefügte Schäden verantwortlich!
- 20) Jeder unsachgemäße Gebrauch hat den Verfall des Garantieanspruches und der Haftung des Herstellers zur Folge.
- 21) Beschädigte bzw. verformte Hacken nicht reparieren, sondern immer auswechseln.
- 22) Ausschließlich Original-Grillo-Ersatzteile verwenden.
- 23) Vor jeder Benutzung der Maschine sicherstellen, dass alle Sicherheitseinrichtungen funktionieren. Es ist strengstens untersagt, die Sicherheitseinrichtungen außer Funktion zu setzen oder zu entfernen.
- 24) Vor jeder Benutzung der Maschine sicherstellen, dass alle Schrauben und Feststellmutter der Fräs- bzw. der Hackeinrichtung gut angezogen sind.
- 25) Die Schutzverkleidung (Gehäuse, Kotbleche, usw.) dürfen während der Arbeit nicht abmontiert werden.
- 26) Die Fräseinrichtung niemals mit laufendem Motor reinigen.
- 27) Niemals barfuß arbeiten.
- 28) Schnellkupplung oder mögliche Verlängerungen nicht zusammen mit der Fräse montieren, da diese die Fräse dem Benutzer nähern und deswegen die Sicherheitsnormen PrEN 709, nicht entsprechen.
- 29) Hände oder Füße niemals unter das Mähwerk bringen, Verletzungsgefahr!
- 30) Den Treibstoff in speziell zu diesem Zweck hergestellten Behältern aufbewahren.
- 31) Die Einstellung des Motors, im Besonderen die maximale Drehzahl, nicht verstellen.
- 32) Bevor die Maschine in einem geschlossenen Raum abgestellt wird, muss der Motor abgekühlt sein.
- 33) **ACHTUNG:** Um die Brandgefahr zu reduzieren, müssen der Motor, der Auspufftopf und die Auspuffkrümmer immer frei von Gras, Blättern, Staub usw. gehalten werden.
- 34) Den Treibstofftank immer nur im Freien entleeren.
- 35) Nur bei Tageslicht oder guter Beleuchtung arbeiten.

IDENTIFIKATION UND KUNDENDIENST

IDENTIFIKATION DER MASCHINE

Auf dem Maschinenrahmen befindet sich eine Plakette mit der Seriennummer der Maschine, die für die Bestellung von Ersatzteilen und bei allen die Maschine betreffenden Anfragen an den Hersteller/Händler anzugeben ist.

Grillo S.p.A. CESENA - ITALY				Cod. 03259
tipo	Grillo 4 BIS			
serie	000001			
massa c.a.	105 kg.	KW/giri minuto		
anno	0000	6.5-6/3600		

Grillo S.p.A. CESENA - ITALY				Cod. 03261
tipo	Grillo 7 BISS			
serie	000000			
massa c.a.	110 kg.	KW/giri minuto		
anno	0000	6.5-6/3600		

KUNDENDIENST

In diesem Handbuch finden Sie Anleitungen für den korrekten Gebrauch Ihrer Maschine und die vom Benutzer selbst durchführbaren Wartungseingriffe. Für alle nicht in diesem Handbuch beschriebenen Eingriffe und Arbeiten wenden Sie sich bitte an Ihren Grillo-Händler.

ERSATZTEILE

Verwenden Sie ausschließlich Original-Ersatzteile, die unter sicherheits- und montagetechnischem Standpunkt keine Probleme bereiten können. Bei der Ersatzteilbestellung immer die Seriennummer der Maschine angeben. Für die Ersatzteile des Motors die Hinweise im Handbuch des Motors beachten.

GARANTIE

Es gelten die gesetzlichen Garantiebedingungen.

Für den Motor gelten die von der jeweiligen Herstellerfirma vorgesehenen Garantiebedingungen.

ERSATZTEILE, DIE SIE IMMER ZUR VERFÜGUNG HABEN SOLLTEN:

Für den Einachsschlepper:

- 1 Gasseil
- 1 Kupplungsseil
- 1 Gashebel
- 1 Kupplungshebel

Für den Mähbalken:

- 1 komplettes Messer
- 2 Messerkupplungen

ERSATZTEIL-BESTELLUNG

Immer die Seriennummer der Maschine und die Artikelnummer des gewünschten Ersatzteils angeben. Wenden Sie sich bitte an unsere Ersatzteilelager.

Unsere Adresse ist:

GRILLO S.p.A.

Via Cervese 1701 - 47521 CESENA (FC) - ITALIEN

Tel. 0039 / 0547 / 633111 - Fax 0039 / 0547 / 632011

Website: www.grillospa.it - E-Mail: grillo@grillospa.it

TECHNISCHE DATEN 4 BIS

MOTOR: ROBIN SUBARU EX27; LOMBARDINI 15LD350. Versionen mit Elektrostart verfügbar.

KUPPLUNG: Manuelle Trockenkupplung.

GETRIEBE: Zahnradgetriebe

Version Einachsschlepper: 4 Gänge, 3 Vorwärtsgänge und 1 Rückwärtsgang.

Version Motormäher: 3 Gänge, 1 Vorwärtsgang und 2 Rückwärtsgänge

GESCHWINDIGKEIT mit Rädern 4.00-8: I – 1,1 km/h / II – 2,6 / III – 11,5 / **RG I** – 2,4.

ZAPFWELLE: 965 UpM unabhängig vom Getriebe, mit Motor auf 3600 UpM.

RÄDER: 4.00-8, 4.00-10, 5.00-10.

FRÄSE: Standard 580 mm, verstellbar auf 370 – 470 – 680 mm.

LENKHOLM: höhen- und seitenverstellbar, umlegbar.

SPURWEITE: Am äußeren Rand der Räder gemessen:

mit Luftreifen 4.00-8: 350 – 420 mm

mit Metallgitterrädern: 340 – 460 – 570 mm.

WERKZEUGE UND ZUBEHÖRE: Fräse, Zwillingfräse, Mähbalken, Schneefräse, Pflug, Häufelkörper, Wiesenmäher, Schlegelmäher, gezogener Anhänger, Stützrad für Fräseinrichtung, Anhängerkupplung, Radgewichte, Eisenräder, Frontschieber, Kehrmaschine.

GEWICHT mit Fräse, Rädern 5.00-10 und Dieselmotor: 142 kg.

TECHNISCHE DATEN 7BISD

MOTOR: ROBIN SUBARU EX27; LOMBARDINI 15LD350. Versionen mit Elektrostart verfügbar.

KUPPLUNG: Manuelle Trockenkupplung.

GETRIEBE: Zahnradgetriebe

Version Einachsschlepper: 7 Gänge, 5 Vorwärts- und 2 Rückwärtsgänge.

Version Motormäher: 4 Gänge, 2 Vorwärts- und 2 Rückwärtsgänge

GESCHWINDIGKEIT mit Rädern 4.00-8: I – 1,1 km/h / II – 2,01 / III – 2,54 / IV – 5,07 / V – 11,07; **RG I** – 1,24 / **RG II** – 3,14.

ZAPFWELLE: 965 UpM unabhängig vom Getriebe, mit Motor auf 3600 UpM.

RÄDER: 4.00–8, 4.00–10, 5.00–10.

FRÄSE: Standard 580 mm, verstellbar auf 370 – 470 – 680 mm.

LENKHOLM: höhen- und seitenverstellbar, umlegbar.

SPURWEITE: Am äußeren Rand der Räder gemessen:

mit Luftreifen 4.00–8: 350 – 420 mm

mit Metallgitterrädern: 340 – 460 – 570 mm.

WERKZEUGE UND ZUBEHÖRE: Fräse, Zwillingssfräse, Mähbalken, Schneefräse, Pflug, Häufelkörper, Wiesenmäher, Schlegelmäher, gezogener Anhänger, Stützrad für Fräseinrichtung, Anhängerkupplung, Radgewichte, Eisenräder, Frontschieber, Kehrmaschine.

GEWICHT mit Fräse, Rädern 5.00-10 und Dieselmotor: 143 kg.

BEDIENUNGSANLEITUNG

INBETRIEBNAHME DER MASCHINE

- 1) Die Maschine auf Transportschäden untersuchen.
- 2) Die Zapfwelle der Maschine um die Kupplung mit Fett füllen (Abb. 2 Nr. 20 und Abb. 4 Nr. 20).
- 3) Durch die zwei Hebel (Abb. 1 Nr. 8 und Nr. 13; Abb. 3 Nr. 8 und Nr. 13) den Lenkholm in die gewünschte Position Einachsschlepper oder Motormäher stellen.
- 4) Die Reifen und das Zubehör (z. B. Fräse, Pflug, usw.) anbauen, die Feststellmutter gut anziehen.
- 5) Motoröl einfüllen, halten Sie sich genau an das beiliegende Handbuch.
- 6) Getriebeöl kontrollieren (Abb. 6).
- 7) Öl in den Luftfilter im Ölbad einfüllen (für Versionen mit diesem Filtertyp), das selbe Öl wie für den Motor verwenden (Abb. 7A).
- 8) Die Steuerstangen (Abb. 1 Nr. 9 und 12; Abb. 3 Nr. 3, 9 und 12) anbauen.
- 9) Reifendruck kontrollieren (siehe Tabelle).

REIFENDRUCK		
4.00 - 8	2 PLY RATING	1,1 bar
4.00 - 10	2 PLY RATING	1,1 bar
5.00 - 10	2 PLY RATING	1,5 bar
5.00 - 12	2 PLY RATING	1,5 bar

- 10) Bei Versionen mit E-Start die Batterie kontrollieren; die Spannung darf nicht weniger als 12,5V betragen; ggf. Batterie nachladen.

WICHTIGER HINWEIS! Während der Montage die Pole der Batterie nicht umkehren.

- 11) Das Kupplungsseil muss ausreichend Spiel (5/8 mm) zwischen Justiervorrichtung und Hebel aufweisen.
- 12) Den Tank mit Treibstoff auffüllen; dazu einen mit einem sehr feinen Filter ausgerüsteten Trichter verwenden.
- 13) Bei den Ölstandkontrollen muss die Maschine immer horizontal stehen.

KONTROLLEN VOR DEM ANLASSEN

Vor dem Anlassen des Motors immer kontrollieren:

- Ölstand im Motor (Abb. 5) und im Getriebegehäuse; der Ölstandmesser befindet sich auf dem oberen Deckel (Abb. 6); der Ölstand muss zwischen den beiden Rändern liegen.
- dass alle Schrauben und Muttern fest angezogen sind; dies gilt vor allem für die Schrauben und Muttern zum Befestigen der Hacken und der Geräte am Einachsschlepper.
- dass alle Hebel in Leerlaufposition sind.
- dass der Luftfilter (Version Trockenfilter) sauber ist (Abb. 7). Achtung! Den Einsatz nicht mit Pressluft beblasen; ein verstopfter Filter muss ausgewechselt werden.
- dass der Luftfilter (Version Ölbad) sauber ist und der Ölstand stimmt (Abb. 7A).
- dass der Kupplungshebel ein wenig Spiel aufweist (Abb. 8).
- dass der Ölstand im Fräsengehäuse stimmt (Abb. 2 Nr. 22 und Abb. 4 Nr. 22).
- Den Tank mit Hilfe eines Trichters mit sehr feinem Filter mit Kraftstoff füllen.

ANLASSEN DES VERBRENNUNGSMOTORS

Den Motorstopp (Abb. 1 Nr. 25 – Abb. 3 Nr. 25) einhaken. Den Treibstoffhahn öffnen, den Gashebel bis zur Hälfte drücken und bei kaltem Motor die auf dem Vergaser befindliche Starthilfe betätigen. Kräftig am Seilzuggriff anziehen (Abb. 1 Nr. 6 – Abb. 3 Nr. 6).

ANLASSEN DES DIESELMOTORS

Den Motorstopp (Abb. 1 Nr. 25 – Abb. 3 Nr. 25) einhaken. Den Gashebel bis zur Hälfte drücken (siehe Motor-Handbuch), den Dekompressionshahn auf dem Zylinderkopf drücken, bis er eingehakt bleibt, und kräftig am Seilzuggriff anziehen (Abb. 1 Nr. 6 – Abb. 3 Nr. 6).

ANLASSEN DER MASCHINE

Die Kupplung ziehen und den Ganghebel in die gewünschte Position bringen. Sollte sich der Gang nicht sofort einlegen lassen, mit kurzen Kupplungsschlägen nachhelfen. Langsam einkuppeln, bis sich die Maschine in Bewegung setzt.

N.B. - Ist die Zapfwelle eingeschaltet, dann kann der Rückwärtsgang nicht eingelegt werden. Vor dem Einlegen des Rückwärtsganges die Zapfwelle abschalten.

BEGINN DER ARBEIT

Auskuppeln und die Zapfwelle einschalten; gegebenenfalls mit kurzen Kupplungsschlägen nachhelfen. Gas geben, die Kupplung loslassen und mit der Arbeit beginnen.

ENDE DER ARBEIT

Wenn die Arbeit fertig ist, um den Motor zum Stillstand zu bringen, das Getriebe und die Zapfwelle in den Leerlauf setzen und den Motorstopp loslassen (Abb. 1 Nr. 18 und Abb. 3 Nr. 18).

Ist der Einachsschlepper mit Elektro-Starter ausgerüstet, ist außerdem auch der Zündschlüssel zu ziehen.

EVENTUELL AUFTRETENDE STÖRUNGEN UND DEREN BEHEBUNG

Nachfolgend finden Sie eine Liste kleiner Störungen, die bei der Benutzung der Maschine auftreten und vom Kunden selbst behoben werden können.

- 1) Der Motor springt nicht an: Verbrennungsmotor. Der Reihe nach die folgenden Kontrollen durchführen:
 - der Benzintank muss mindestens halb voll sein
 - der Benzinhahn muss offen sein
 - der Starter muss eingeschaltet sein (falls der Motor kalt ist)
 - der Vergaser muss mit Benzin versorgt werden
 - das Entlüftungsloch auf dem Tankdeckel darf nicht verstopft sein
 - der Netzfilter am Vergasereingang muss sauber sein
 - die Vergaserdüsen müssen sauber sein; zum Überprüfen die Düsen abschrauben und gegebenenfalls mit Druckluft reinigen
 - die Zündkerze muss einen Funken erzeugen. Zum Durchführen dieser Kontrolle die Kerze ausbauen, wieder an das Speisekabel anschließen, das Metallteil an Masse legen und die Motorscheibe wie zum Anlassen drehen lassen. Springt zwischen den beiden Elektroden kein Funken über, die Verbindungen des Zündkerzenkabels überprüfen. Funktioniert die Stormversorgung noch immer nicht, die Kerze auswechseln. Funktioniert die Maschine noch immer nicht, dann liegt die Störungsursache bei der elektrischen Anlage, dem Kondensator, der Spule oder einem anderen Organ und wir empfehlen Ihnen, sich an die nächste Fachwerkstätte zu wenden.
- 2) Der Motor springt nicht an: Dieselmotor. Der Reihe nach die folgenden Kontrollen durchführen:
 - das Entlüftungsloch des Tankdeckels darf nicht verstopft sein
 - der Dieseltank muss mindestens halb voll sein.

Sollte der Motor immer noch nicht anspringen, dann setzen Sie sich bitte mit der nächsten Kundendienststelle oder einer Fachwerkstätte in Verbindung.

- 3) Die Gänge lassen sich nicht einlegen:
 - die Kupplung einstellen; dazu die Einstellschraube lockern, bis eine gute Auskupplung gegeben ist. Ein wenig Spiel muss jedoch bestehen bleiben.
- 4) Einachsschlepper mit Mähbalken oder Motormäher. Falls die Messerkupplung häufig bricht (Abb. 30 Nr. 3):
 - überprüfen, dass die Messerandrücker nicht zu eng sind.
- 5) Muss auf steinigem Boden gearbeitet werden, die Schlitten zum Einstellen der Schnitthöhe absenken, um den Mähbalken höher zu halten, und so zu vermeiden, dass sich zwischen Zähnen und Messer kleine Steine verklemmen.

WARTUNG UND SCHMIERUNG

Eine gute Wartung und eine korrekte Schmierung tragen dazu bei, die Maschine stets funktionstüchtig zu halten.

EINFAHREN

Nach den ersten zwanzig Arbeitsstunden Motoröl wechseln.

MOTOR

Die im Handbuch des Motors enthaltenen schmierungsrelevanten Hinweise befolgen.

In der Regel muss der Ölstand alle vier Betriebsstunden kontrolliert und alle fünfzig Betriebsstunden ein Ölwechsel vorgenommen werden. Immer Motoröl 15W40 verwenden.

Beim Luftfilter alle acht Betriebsstunden den Ölstand überprüfen, bei besonders staubiger Umgebung auch häufiger. Zum Nachfüllen das selbe Öl wie für den Motor verwenden (s. Motor-Handbuch); bei Trockenfilter den Einsatz auswechseln, wenn er verstopft ist (nicht mit Pressluft zu reinigen versuchen).

GETRIEBEGEHÄUSE

Alle fünfzig Betriebsstunden den Ölstand kontrollieren; dazu den Verschluss abnehmen und prüfen, ob das Öl bei waagrecht stehender Maschine zwischen den beiden Rändern steht. Gegebenenfalls **MP 80 W/90** (internationale Entsprechung Öl API GL5, US MIL-L-2105D, Menge 2,2 Liter bei 4BIS und 1,9 Liter bei 7BIS) nachfüllen.

Einmal jährlich einen Ölwechsel vornehmen.

FRÄSE

Alle 50 Betriebsstunden den Ölstand kontrollieren; dazu den Verschluss (Abb. 2 Nr. 22 und Abb. 4 Nr. 22) abschrauben; das Fräsergehäuse muss beinahe voll sein (Menge: 0,4 kg). Gegebenenfalls dasselbe Öl wie für das Getriebe nachfüllen.

EINIGE NÜTZLICHE HINWEISE:

- 1) Die Kupplung nicht zu lange ausgekuppelt lassen.
- 2) Die Maschine niemals im Regen stehen lassen.
- 3) Den Holmpositionierungsmechanismus immer sauber und gut geölt halten.
- 4) Den Gang nicht mit Gewalt einlegen; ggf. mit kurzen Kupplungsschlägen nachhelfen.
- 5) Den Motor niemals überlasten; tritt Rauch aus dem Auspuff, langsamer fahren!
- 6) Es kann auch auf schwierigstem Gelände gehackt werden; vorher jedoch die Maschine gut einfahren.
- 7) Niemals mit Vollgas arbeiten.
- 8) Wird die Maschine am ersten Arbeitstag zu heiß, ist eine Pause einzulegen.
- 9) Den Reifendruck öfters kontrollieren.
- 10) Während dem Montieren der Geräte (z.B. der Fräseinrichtung) darauf achten, dass die Zentrierung nicht beschädigt wird (Abb. 29).

WARTUNG AM SAISONENDE

Die Maschine sorgfältig waschen; Motor-, Getriebe- und Fräsenöl wechseln und den Luftfilter reinigen. Die Hacken schleifen und einfetten; gegebenenfalls durch neue Hacken ersetzen.

WIRD DIE MASCHINE LANGE ZEIT NICHT BENUTZT

dann sind die folgenden Vorkehrungen zu treffen:

- den Tank entleeren;
- Motoröl ablassen;
- Motor und Maschine sorgfältig waschen;
- Den Lenkholm-Umkehrmechanismus ölen.

ANBAUGERÄTE

Achtung

Achten Sie bitte beim Montieren der verschiedenen Anbaugeräte auf die Gerätekupplung darauf, dass der Maschinen- und der Geräteflansch genau zusammenpassen, um eine perfekte Zentrierung zu erhalten. Die Muttern der beiden Stiftschrauben müssen zuerst von Hand bis zu ihrem Hubende angelegt und danach mit einem Schlüssel so festgezogen werden, dass sie gleichzeitig auf die Kupplung drücken (Abb. 29).

SCHNELLKUPPLUNG

Diese Kupplung ermöglicht die schnelle Anbringung der diversen Anbaugeräte ohne die Zuhilfenahme von Werkzeugen; das Gerät kann durch einfaches Ziehen eines Hebels ausgekuppelt werden. Die Schnellkupplung besteht aus zwei Teilen, von denen einer an der Maschine, der andere am Anbaugerät befestigt wird. Wir empfehlen Ihnen daher, ein einziges Stück für die Maschine, und ein Stück pro anzubauendes Zubehörggerät zu kaufen (Abb. 24). Alle 50 Stunden nachfetten.

VERLÄNGERUNG FÜR ANBAUGERÄTE

Dieses Zubehör kann als Ausgleich angebracht werden, sollten Frontalzubehöre zu wenig Gewicht haben. Es wird an den Flansch angebracht und mit den beiden Muttern befestigt (Abb. 19).

FRÄSE

Die Fräse dient zum Auflockern der oberen Erdschichten, um deren Durchlässigkeit zu verbessern und sie gleichzeitig von Unkraut zu befreien. Auf harten Böden die erste Geschwindigkeit benutzen, auf lockeren, sandigen Böden die zweite Stufe. Die Einfrästiefe kann durch Anheben und Absenken des unter dem Fräskörper befindlichen Zentralmessers verstellt werden. Um die Frästiefe zu erhöhen, ist das Messer nach oben zu verstellen. Es empfiehlt sich, die Arbeit mit dem Messer in der tiefsten Position zu beginnen und anschließend je nach gewünschter Frästiefe das Messer anzuheben.

ACHTUNG - Wenn die Maschine auf harten Böden nach vorne zu hüpfen beginnt, das Messer ganz absenken und im dritten Loch befestigen.

Kontrollieren, ob die Messer korrekt montiert sind (s. Abb.9).

STÜTZRAD FÜR FRÄSE

Das Stützrad sorgt beim Transport für die erforderliche Bodenfreiheit und stellt daher eine wesentliche Arbeitserleichterung dar (Abb. 21).

VERSTELLBARER HÄUFELKÖRPER

Der verstellbare Häufelkörper dient zum Ziehen von Saat- oder Bewässerungsfurchen (Abb. 10) und wird wie Pflug und Fräse auf dem Geräte-Kupplungsflansch montiert, welcher sich hinten am Getriebegehäuse befindet.

Durch Verstellen der Position der beiden Flügel wird eine Furchenbreite von mindestens 10 bis maximal 30 cm erhalten. Die Arbeitstiefe reicht von 10 bis 20 cm. Falls in besonders harten Böden gearbeitet werden muss, empfiehlt es sich, den Boden vorher mit der Fräse aufzulockern und erst danach den Häufelkörper einzusetzen.

Die Leistung des Häufelkörpers kann zusätzlich verbessert werden, indem die Luftreifen 5.00-12 montiert werden und eventuell auch die Radgewichte (fig. 18), um die Bodenhaftung zu verbessern.

HÄUFELKÖRPER HINTER DER FRÄSE

Dieses Gerät dient ebenfalls zum Ziehen von Bewässerungs- oder Saadfurchen. Es wird hinter der Fräse montiert und arbeitet zusammen mit dieser.

PFLÜGE

Die für den Einachsschlepper konzipierten Pflüge (Abb. 14) ermöglichen ein gutes Pflügen ohne übermäßige Kraftanstrengung für den Bediener. Es stehen zwei Pflugtypen zur Verfügung: Einscharpflug oder 180°-Drehpflug. Letzterer eignet sich besonders für Arbeiten, die in beide Richtungen ausgeführt werden müssen, wie zum Beispiel in Wein- oder Obstgärten. Die Furchentiefe kann je nach Bodenbeschaffenheit von 10 bis 15 cm schwanken. Es empfiehlt sich die Verwendung von Eisenrädern (Abb. 23).

MÄHBALKEN

Der auf dem Einachsschlepper montierbare Mähbalken verfügt über eine zentrale Steuerung. Dank seiner robusten Konstruktion und hohen Leistung ist dieser Mähbalken ideal zum Mähen von kleinen Flächen, für die sich der Kauf einer Motormähmaschine nicht lohnt, da diese die meiste Zeit des Jahres unbenutzt bleiben würde, während der Einachsschlepper auch mit anderen Geräten eingesetzt werden kann. Der Mähbalken wird anstelle der Fräse an der Gerätekupplung montiert und mit den selben zwei Muttern befestigt.

Den Lenkholm um 180° zur Motorseite hin schwenken. Dazu den 1. Gang einlegen und danach die Steuerstangen für Gang und Zapfwelle aushaken. Den Holm drehen und die Stangen wieder in die oberen Supporte einsetzen.

Zum Einschalten der Messerbewegung die Sicherheitsvorrichtung ausschalten, die das gleichzeitige Einschalten von Rückwärtsgang und Zapfwelle verhindert (was jedoch für die Fräse erforderlich ist). Dazu einfach die Schraube entfernen, die gegen den Ganghebel drückt, und dadurch die Doppeleinschaltung verhindern (Abb. 27 und 28).

Wichtig: Wird die Fräse wieder aufgesetzt, dann muss die Sicherheitsvorrichtung wieder aktiviert werden. Der Hersteller lehnt jede Verantwortung ab, falls diese Maßnahme nicht beachtet wird.

Wartung

Die Kreuzstifte durch die Fettbüchse auf der oszillierenden Kurbel alle acht Betriebsstunden fetten.

Das Balkenschwinglager alle 50 Betriebsstunden durch die unter dem oszillierenden Schutz liegende Fettbüchse

nachfetten. Für die zu schmierenden Punkte siehe Abb. 30.

Das Messer durch Einstellen der Messerhalterungen justieren; die Messerhalterungen dürfen nicht zu fest angezogen sein, da das Messer dadurch blockiert würde; es darf jedoch andererseits nicht zu viel Spiel zu den Zahnplatten bestehen. Zum Einstellen der Messerhalterungen für die beiden Typen die Feststellschrauben lockern (Abb. 11-12), und die Andrückschraube einstellen.

Sind die Messerhalterungen verbraucht, empfiehlt es sich, sie durch neue zu ersetzen, auch wenn sie noch Druck ausüben können.

Zum Einstellen des Spiels zwischen Messer und Abnutzstreifen die Schrauben, welche die Streifenandrücker arretieren, lockern und den Streifen nach vorne setzen, bis er gegen die Stange stößt, auf der die Messerabschnitte genagelt sind. Nun die Streifenandrücker wieder blockieren.

Zum Abnehmen des Messers die Messerkupplung L durch Abschrauben der beiden Schrauben abnehmen (Abb. 30 Nr. 3) und das Messer herausziehen. Nach dem Einsetzen des neuen Messers die Blockierschrauben der Kupplung wieder gut anziehen.

Immer gut geschliffene Messer verwenden; die Maschine arbeitet dadurch leichter und hält länger.

Nach Beendigung der Arbeit jeden Tag den Mähbalken waschen und von Schnittgut- und Erdresten säubern. Hin und wieder kontrollieren, ob alle Schrauben fest angezogen sind.

SCHNEEFRÄSE

Die speziell für diesen Einachsschlepper konstruierte Schneefräse (Abb. 13) ist ideal zum Schneeräumen auf Plätzen, in Garageneinfahrten, usw. Sie besteht aus einer von einem vorne offenen Gehäuse umschlossenen Turbinenfräse, die bei hoher Drehzahl den Schnee aufnimmt und durch ein verstellbares Rohr auswirft. Der Schnee kann so in die gewünschte Richtung (nach rechts, links oder vorne mit allen Zwischenpositionen) 8-10 m weit geschleudert werden.

Die Schneefräse wird an der Gerätekupplung montiert und mit den beiden Muttern arretiert. Der Lenkholm muss um 180° auf die Motorseite gedreht werden; dazu wie bei der Montage des Mähbalkens beschrieben vorgehen. Zum Einschalten der Schneefräse muss die Sicherheitsvorrichtung, welche ein gleichzeitiges Einschalten von Rückwärtsgang und Zapfwelle verhindert (was jedoch für die Fräse erforderlich ist), ausgeschaltet werden. Dazu einfach die auf dem Zapfwellenhebel befindliche Schraube abnehmen (Abb. 27).

Wichtig: Wird die Fräse wieder aufgesetzt, dann ist die Sicherheitsvorrichtung erneut zu aktivieren. Der Hersteller lehnt im Falle der Nichtbeachtung dieses Hinweises jegliche Verantwortung ab.

Die Schneefräse ist 70 cm breit und kann Schnee bis zu einer maximalen Höhe von 40 cm räumen. Für eine optimale Leistung wird die Montage der Radgewichte empfohlen. Bei sehr nassem Schnee empfiehlt es sich, den Auswurfkamin nach vorne zu richten, um ein Verstopfen desselben zu vermeiden. Die beiden seitlichen Schlitten müssen so eingestellt werden, dass sie den Boden gerade noch streifen, wenn es sich um eine ebene Fläche handelt (asphaltierte Straße), bei unebenem Gelände hingegen genügend Bodenfreiheit gewährleistet ist.

Wartung: Nach dem Schneeräumen ist es ratsam, den in der Fräse verbliebenen Schnee zu entfernen, um ein Vereisen des Turbinenläufers zu vermeiden.

WIESENMÄHER

Der Wiesenmäher mit rotierendem 75 cm Messer für den Einachsschlepper (Abb. 15) wurde für die Pflege von Flächen mit hohem Gras entwickelt. Die hohe verfügbare Leistung und die Triebräder ermöglichen ein Arbeiten auch unter schwierigsten Bedingungen ohne den Benutzer zu ermüden und mit erheblicher Zeitersparnis. Der Wiesenmäher wird auf die Gerätekupplung des Einachsschleppers montiert und mit den beiden Muttern befestigt. Er wird mit seitlichen Schlitten für die schwierigsten Bedingungen geliefert, oder mit einem vorderen Stützrad für niederes Gras und ebene Flächen. Der Lenkholm muss um 180° gedreht werden und auf die Motorseite gebracht werden; hierzu die Anleitungen für das Anbauen des Mähbalkens befolgen. Die Übertragung der Bewegung auf das Messer erfolgt durch ein Kegelradgetriebe. Das Messer hat eine Neutralstellung, damit die Maschine nicht hüpft, wenn der Wiesenmäher eingekuppelt wird. Die Einstellung der Schnitthöhe erfolgt über das Verstellen der Position des vorderen Rads oder der seitlichen Schlitten.

Häufig den Ölstand im Gehäuse des Kegelradgetriebes überprüfen. Bei Bedarf Getriebeöl MP 80W/90 nachfüllen.

SCHLEGELMÄHER

Dieser Schlegelmäher ist 68 cm breit und funktioniert mit einer Rolle mit oszillierenden Y-Hacken (Abb. 16). Man kann damit hohes Gras, Schilf und kleine Sträucher mähen, das Material wird fein zerkleinert. Man kann damit auch kleine Äste häckseln. Mit Rasenmäher-Messern anstelle der Y-Hacken verwendet erhält man damit auch einen gepflegten englischen Rasen.

FRONTRÄUMSCHILD MIT SCHWENKEINRICHTUNG 125 cm

Dieses robuste Räumschild dient zum Schneeräumen und zum Planieren von Schotter- oder Erdhaufen, und ist nach links und rechts schwenkbar (Abb. 26).

ANHÄNGER

Der Anhänger für den Einachsschlepper (fig. 17) ist eine nützliche Hilfe bei kleinen Transportarbeiten. Er zeichnet sich vor allem durch seine Wendigkeit, den geringen Platzbedarf und die schnelle Ankupplung an den Einachsschlepper aus.

Der Anhänger kann direkt an die dafür vorgesehene Anhängerkupplung (Abb. 20) angeschlossen werden, ohne die Fräse abzumontieren. Höchstlast: 300 kg auf ebenem Gelände.

ANHÄNGERKUPPLUNG

Die Anhängerkupplung dient zum Ankuppeln des Anhängers, ohne dass die Fräse abgenommen werden muss. Sie wird am Zughaken der Maschine befestigt (Abb. 20).

SPURERWEITERUNGEN

Sie dienen zur Verbreiterung der Spur und erhöhen daher die Stabilität der Maschine in Schräglage. Die Spurverbreiterungen werden zwischen den Rädern und der Radnabe angebracht und verbreitern die Spur um 6 cm pro Seite (Abb. 22).

METALLGITERRÄDER

Diese Räder werden vor allem beim Einsatz des Einachsschleppers mit Fräse auf besonders harten Böden verwendet. Die auf dem Radkreis angebrachten Schwellen dringen in den Boden ein, erhöhen also die Bodenhaftung, und verhindern ein Durchrutschen der Räder (Abb. 23).

Die Giterräder werden auch immer dann verwendet, wenn Gummiräder oder schmale Eisenräder im eben bearbeiteten und daher lockeren Boden durchrutschen oder versinken könnten. Ihr Gebrauch ist nur in den oben genannten Fällen ratsam. Ansonsten empfehlen wir die Verwendung von Luftreifen, die, sofern keine außergewöhnliche Bodenhaftung erforderlich ist, der Maschine eine gleichmäßigere Zugkraft verleihen und die Aufgabe von Stoßdämpfern zwischen Maschine und Boden übernehmen. Für diese Räder stehen auch Zwillingsringe zur Verfügung.

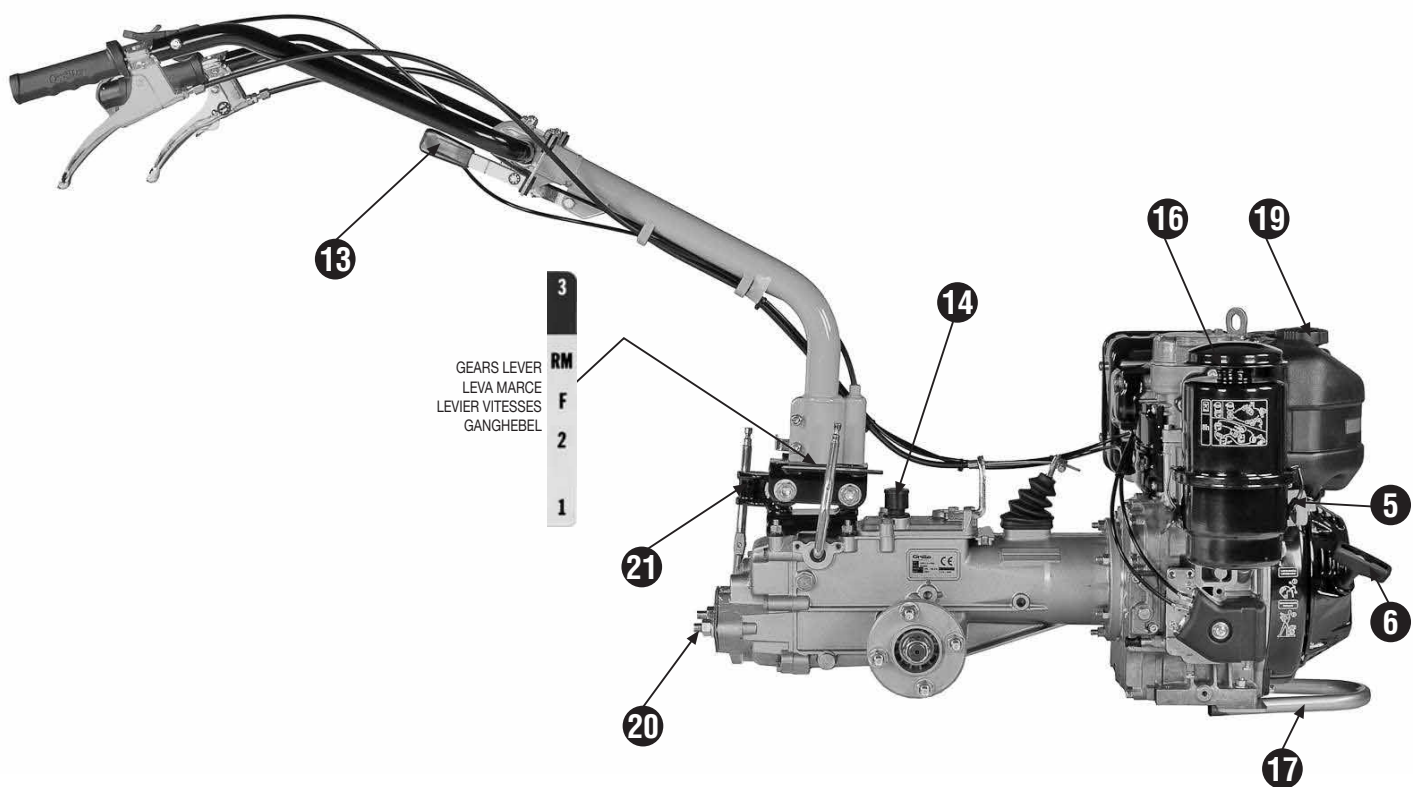
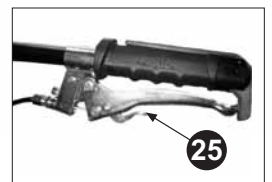
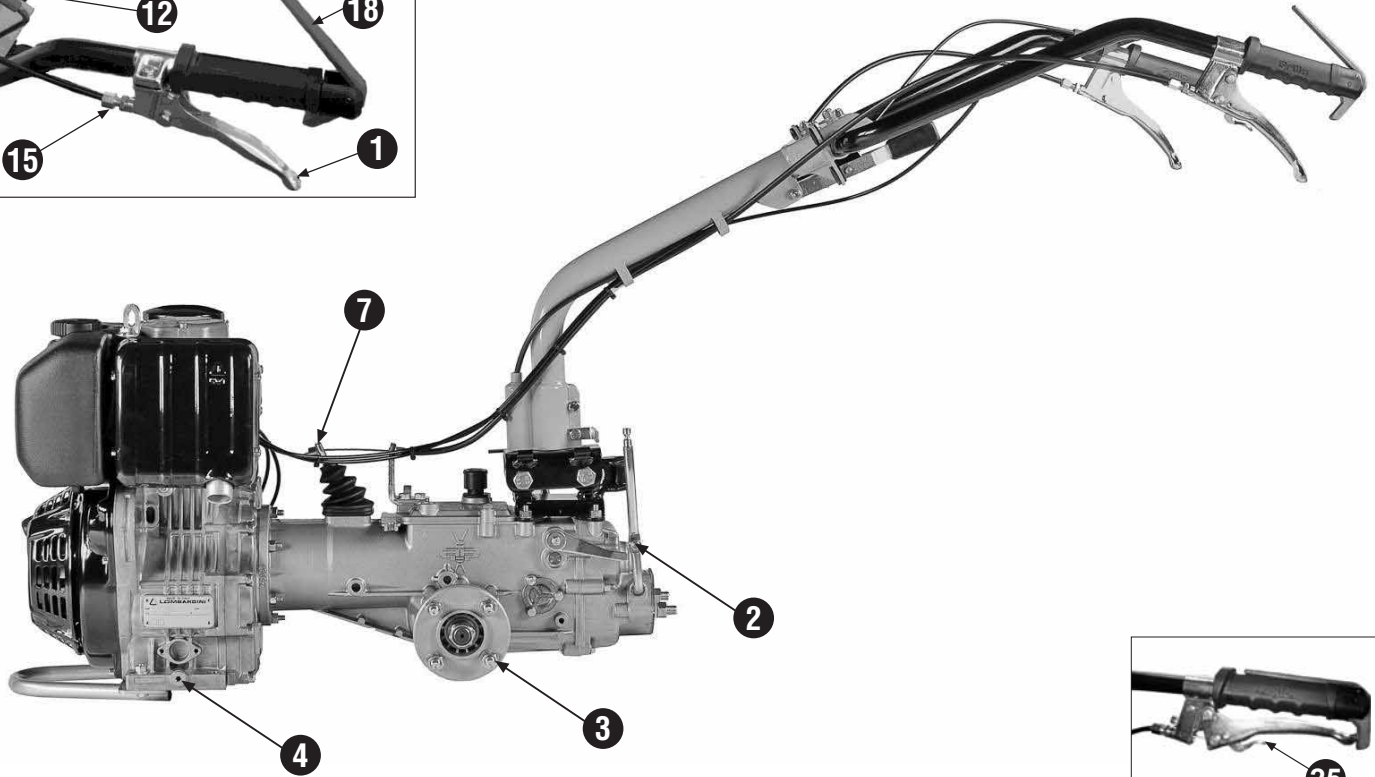
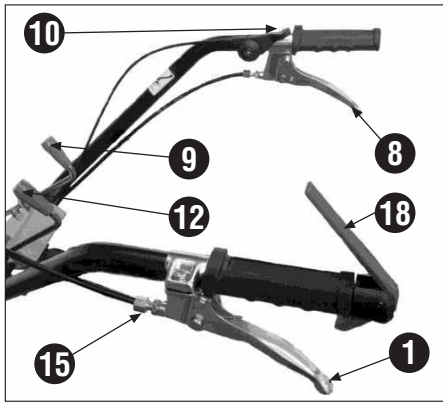
RADGEWICHTE

Die Radgewichte werden auf die Radfelgen montiert und mit zwei der vier Muttern, die zur Befestigung der Räder dienen, blockiert. Sie erhöhen das Gewicht der Maschine und damit deren Bodenhaftung und sind für alle Arbeiten mit dem Pflug oder dem verstellbaren Häufelkörper empfehlenswert, sowie bei besonders anspruchsvollen Arbeiten mit der Fräse oder dem Anhänger. Gewicht pro Stück 18 kg (Abb. 18).

BREMSEN

Der Einachsschlepper ist leicht und wendig und benötigt daher normalerweise keine Bremsen. Bei Einsatz auf sehr steilem Gelände könnten jedoch Bremsen benötigt werden, daher werden auf Anfrage zwei Trommelbremsen geliefert. Die Bremsen werden mit zwei Griffen, die auf den Lenkholm angebracht werden, betätigt.

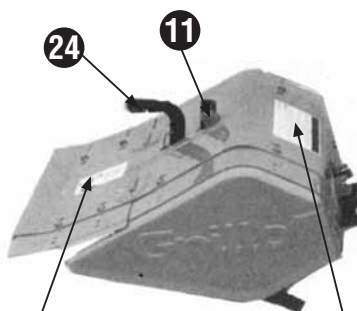
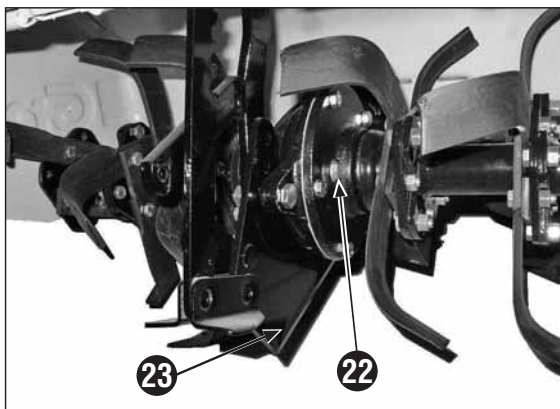
4 BIS



3
RM
F
2
1

GEARS LEVER
LEVA MARCE
LEVIER VITESSES
GANGHEBEL

Fig. 1



Warning! Turning gears, keep your hands and feet away. Do not clean the attachment when the engine is running.

Attenzione! Organo in rotazione, tenere lontano piedi e mani. Non pulire l'attrezzo col motore in moto.

Attention! Organe en rotation, ne pas approcher mains et pieds. Ne pas nettoyer l'outil quand le moteur est en marche.

Achtung! Rotierende Klinge. Hände und Füße fernhalten. Niemals bei laufendem Motor reinigen.

¡Atención! Órgano en rotación, mantener lejos los pies y las manos. No limpiar la herramienta con el motor en marcha.

Atenção! Órgão em rotação. Mantenha as mãos e os pés afastados. Não limpe o equipamento com o motor em movimento.

Προσοχή! Για τη χρήση μηχανημάτων που υπερβαίνουν τα 85 dB(A) L_{Aeq}, ο χειριστής πρέπει να χρησιμοποιεί κατάλληλα μέσα προστασίας της ακοής (καλύμματα).



DANGER! READ THE INSTRUCTION MANUAL. KEEP SAFETY DISTANCES.

PERICOLO! LEGGERE IL MANUALE D'ISTRUZIONE. TENERE LONTANO LE PERSONE.

DANGER! LIRE LE MANUEL D'INSTRUCTIONS. RESPECTER LES DISTANCES DE SÉCURITÉ.

GEFAHR! DIE GEBRAUCHSANLEITUNG DURCHLESEN. NICHT IN DER NÄHE VON ANDEREN PERSONEN MAHEN.

PELIGRO! LEER LAS INSTRUCCIONES. MANTENER ALEJADAS LAS PERSONAS.

PERIGO! LER O MANUAL DE INSTRUÇÕES. MANTER AS PESSOAS AFASTADAS.

ΚΙΝΔΥΝΟΣ! ΔΙΑΒΑΣΤΕ ΤΟ ΕΓΧΕΙΡΙΔΙΟ ΟΔΗΓΙΩΝ. ΜΗΝ ΕΠΙΤΡΕΠΕΤΕ ΣΕ ΤΡΙΤΟΥΣ ΝΑ ΠΑΗΣΙΑΣΟΥΝ.

Fig. 2

LEGEND FIG. 1 - 2

- 1) Clutch lever
- 2) Reverse gear block cylinder
- 3) Wheels nuts
- 4) Engine oil drain plug
- 5) Engine oil level
- 6) Starter handle
- 7) Clutch cable clamp
- 8) Handle bar setting lever
- 9) Gears lever
- 10) Throttle handle
- 11) Rotary tiller bonnet adjusting lever
- 12) PTO Lever
- 13) Handle setting lever
- 14) Gearbox oil level
- 15) Clutch bale adjusting nut
- 16) Air filter
- 17) Bumper
- 18) Engine cut-off device
- 19) Fuel cap
- 20) Implement coupling
- 21) Towing bar
- 22) Rotary tiller gearbox oil cap
- 23) Central working depth blade adjuster
- 24) Working depth adjusting lever
- 25) Clutch lever blocking device (dead man device set on starting position)

LEGENDA FIG. 1 - 2

- 1) Leva frizione
- 2) Interferenza retromarcia
- 3) Dadi ruote
- 4) Tappo scarico olio motore
- 5) Livello olio motore
- 6) Manettino avviamento
- 7) Morsetto filo frizione
- 8) Leva posizionamento stegola
- 9) Leva marce
- 10) Manettino acceleratore
- 11) Asta regolazione cofano fresa
- 12) Leva innesto presa di forza
- 13) Leva posizionamento manubrio
- 14) Livello olio cambio
- 15) Registro filo frizione
- 16) Filtro aria
- 17) Paraurti
- 18) Dispositivo arresto motore
- 19) Tappo carburante
- 20) Flangiatura attrezzi
- 21) Tiro traino
- 22) Tappo olio fresa
- 23) Lama zappetto regolabile
- 24) Asta regolazione profondità di fresatura
- 25) Levetta bloccaggio leva frizione (motor stop in posizione avviamento)

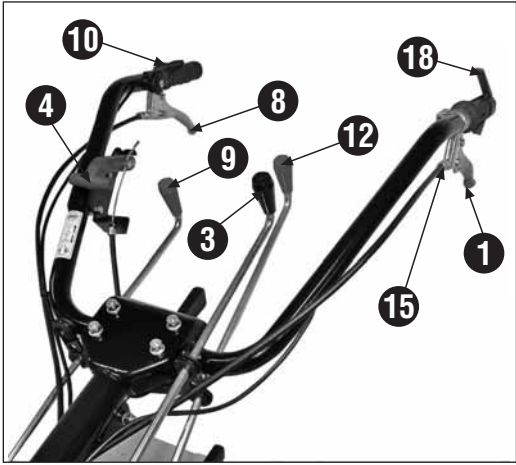
LÉGENDE FIG. 1 - 2

- 1) Levier embrayage
- 2) Interférence marche arrière
- 3) Écrous fixation des roues
- 4) Bouchon de vidange huile moteur
- 5) Niveau huile moteur
- 6) Manette démarrage
- 7) Fixation câble embrayage
- 8) Levier de positionnement guidon
- 9) Levier vitesses
- 10) Manette accélérateur
- 11) Régleur réglage capot
- 12) Levier enclenchement prise de force
- 13) Levier positionnement mancheron
- 14) Niveau huile boîte vitesses
- 15) Régleur câble embrayage
- 16) Filtre à air
- 17) Pare-chocs
- 18) Dispositif extinction moteur
- 19) Bouchon carburant
- 20) Bridage accessoires
- 21) Attelage de remorque
- 22) Bouchon huile de fraise
- 23) Couteau central fraise
- 24) Régleur de la profondeur de binage
- 25) Levier de blocage levier embrayage (motor-stop en position de démarrage)

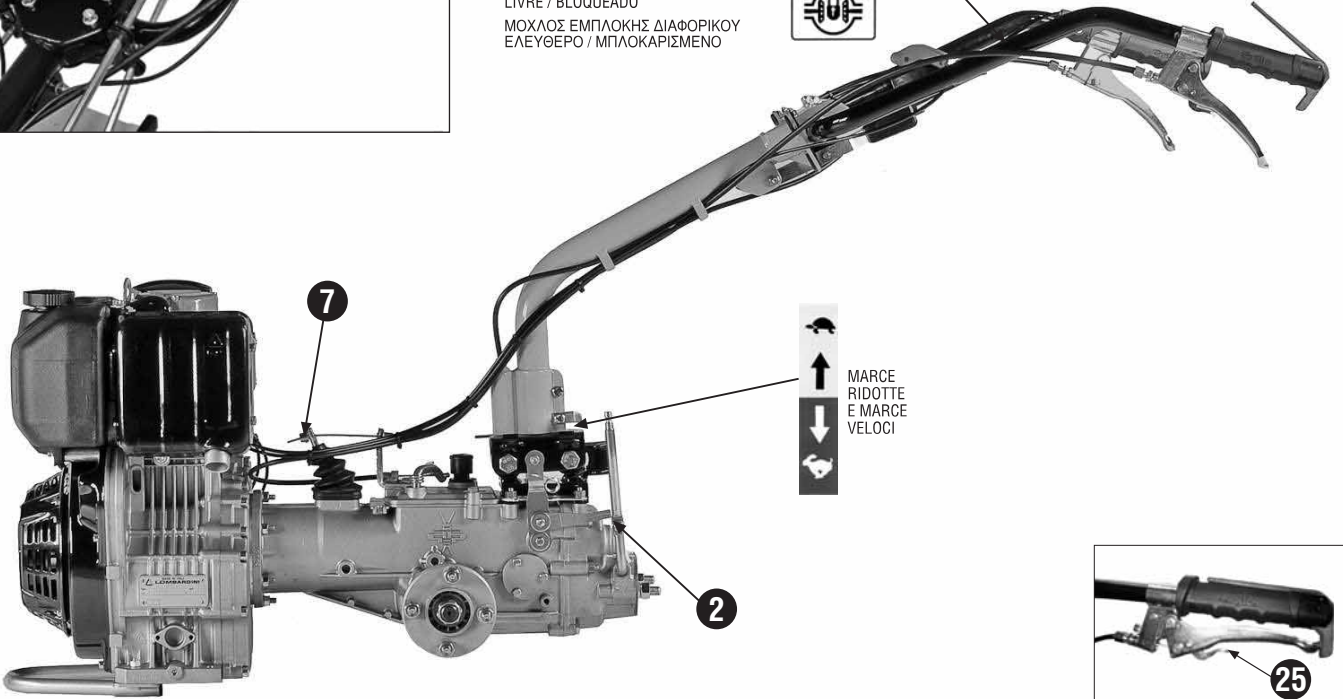
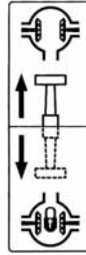
LEGENDE ABB. 1 - 2

- 1) Kupplungshebel
- 2) Interferenz Rückwärtsgang
- 3) Befestigungsmuttern Räder
- 4) Deckel Ablass Motoröl
- 5) Motorölstand
- 6) Startgriff
- 7) Kupplungsseil-Befestigung
- 8) Lenkholm-Positionierungshebel
- 9) Ganghebel
- 10) Gashebel
- 11) Fräshauben-Einstellstange
- 12) Zapfwellen-Kupplungshebel
- 13) Lenkholm-Positionierungshebel
- 14) Splint Stange
- 15) Kupplungsseil-Einstellung
- 16) Luftfilter
- 17) Stoßstange
- 18) Motorstopp-Vorrichtung
- 19) Vergaser
- 20) Geräteflansch
- 21) Anhängerkupplung
- 22) Öldeckel Fräse
- 23) Zentralmesser Fräse
- 24) Hacktiefeinstellung
- 25) Hebel zur Blockierung des Kupplungshebels (Motorstopp in Position Motorstart)

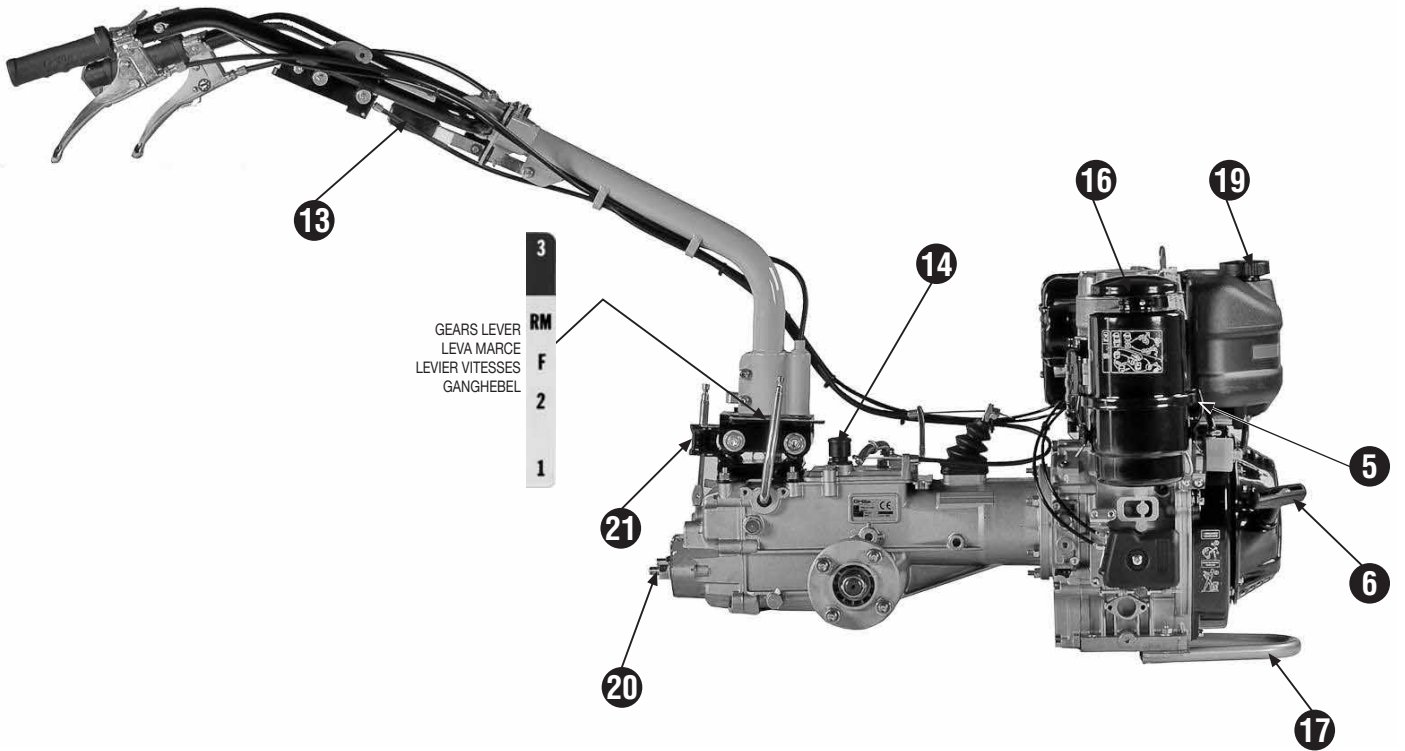
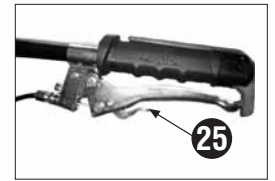
7 B1SD



DIFFERENTIAL LOCK LEVER
FREE / LOCKED
LEVA BLOCCAGGIO DIFFERENZIALE
LIBERO / BLOCCATO
MANETTE DE BLOCAGE DU DIFFÉRENTIEL
LIBRE / BLOQUE
DIFFERENTIALSPERRESTANGE
FREI / GESPERRT
VARILLA BLOQUEO DIFERENCIAL
LIBRE / BLOQUEADO
ALAVANCA DE BLOQUEIO DO DIFERENCIAL
LIBRE / BLOQUEADO
ΜΟΧΛΟΣ ΕΜΠΛΟΚΗΣ ΔΙΑΦΟΡΙΚΟΥ
ΕΛΕΥΘΕΡΟ / ΜΠΛΟΚΑΡΙΣΜΕΝΟ



MARCE
RIDOTTE
E MARCE
VELOCI



3
RM
F
2
1

GEARS LEVER
LEVA MARCE
LEVIER VITESSES
GANGHEBEL

Fig. 3

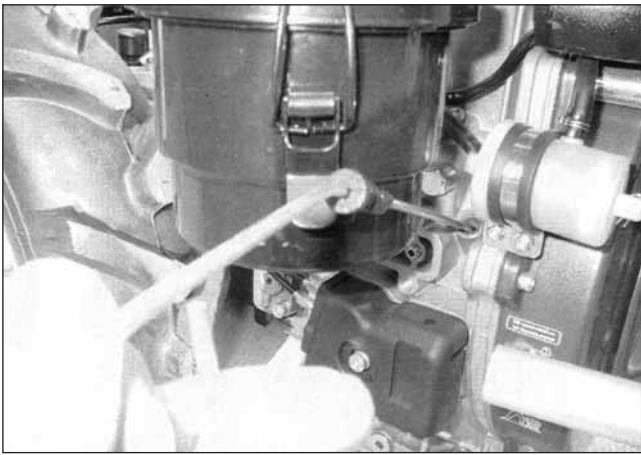


Fig. 5

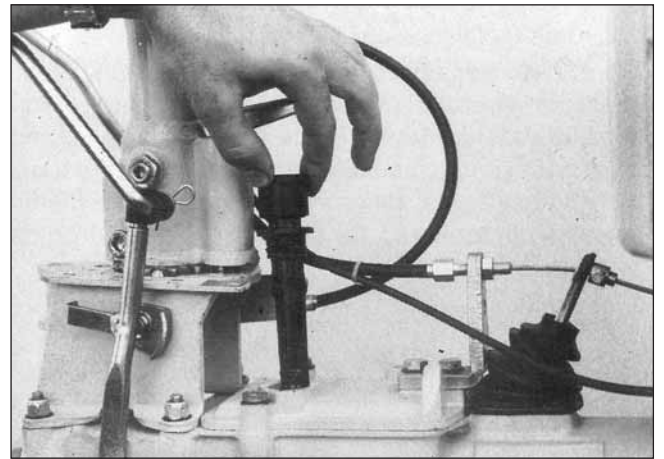


Fig. 6

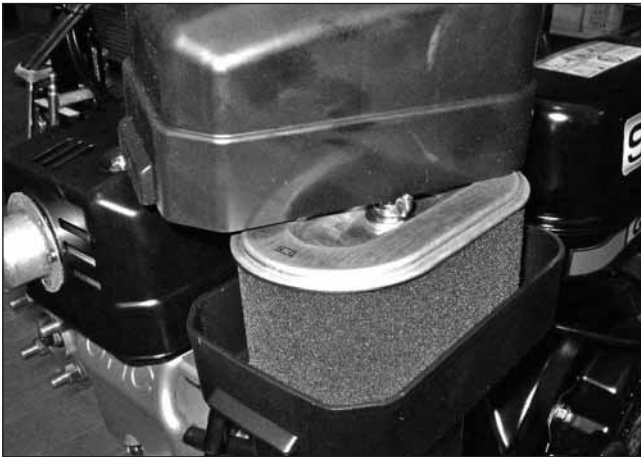


Fig. 7



Fig. 7A

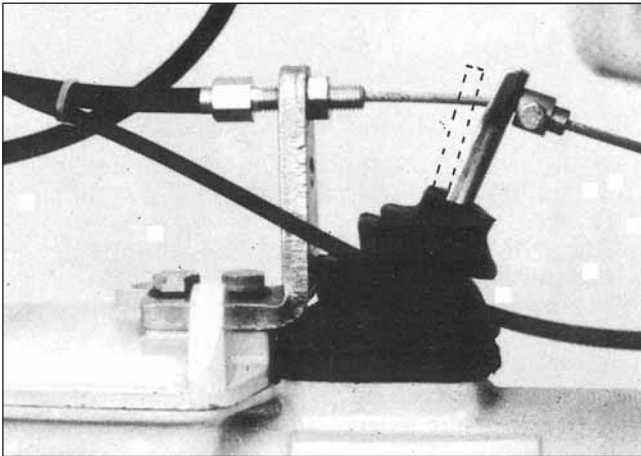


Fig. 8



Fig. 9

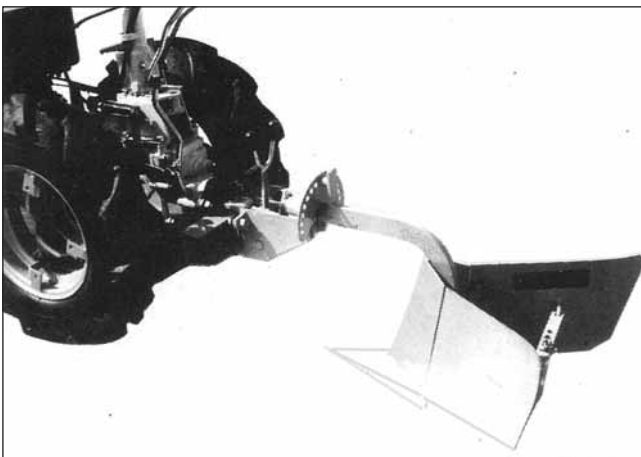


Fig. 10

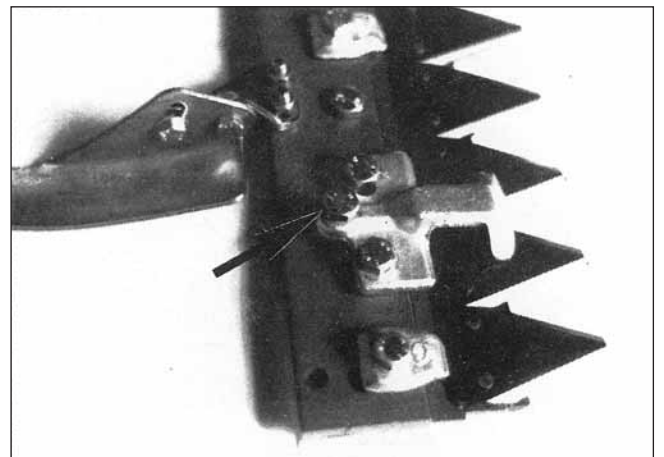


Fig. 11

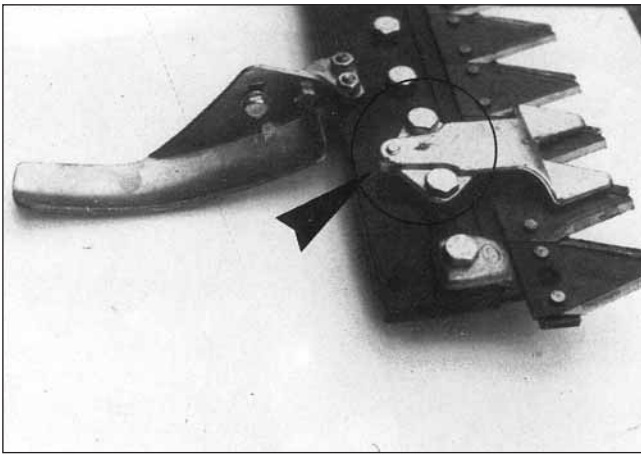


Fig. 12



Fig. 13



Fig. 14

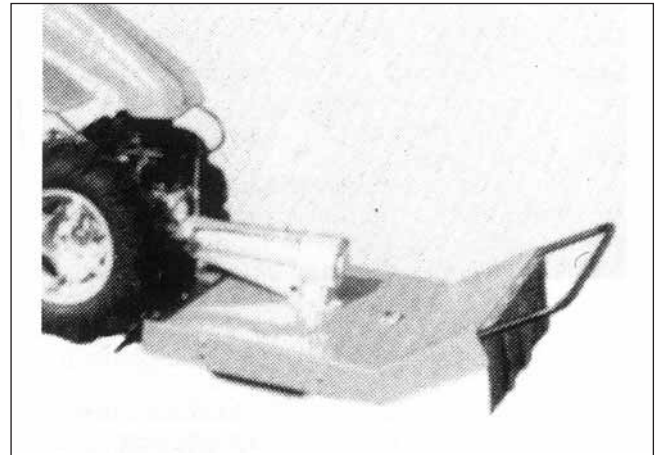


Fig. 15



Fig. 16



Fig. 17

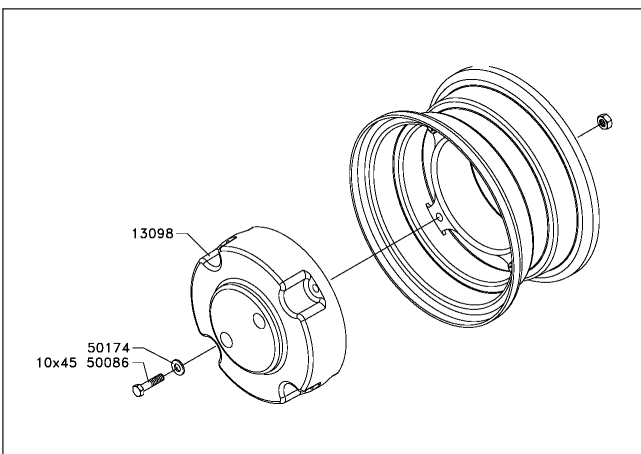


Fig. 18

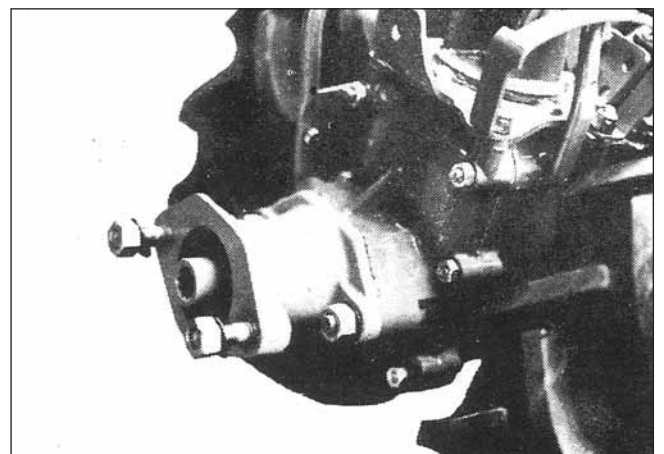


Fig. 19

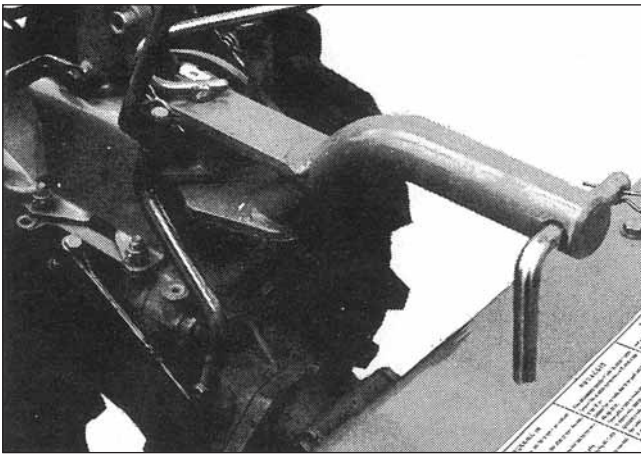


Fig. 20

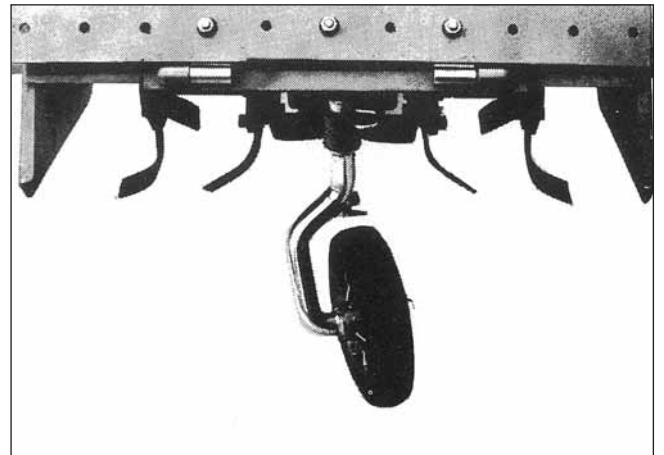


Fig. 21

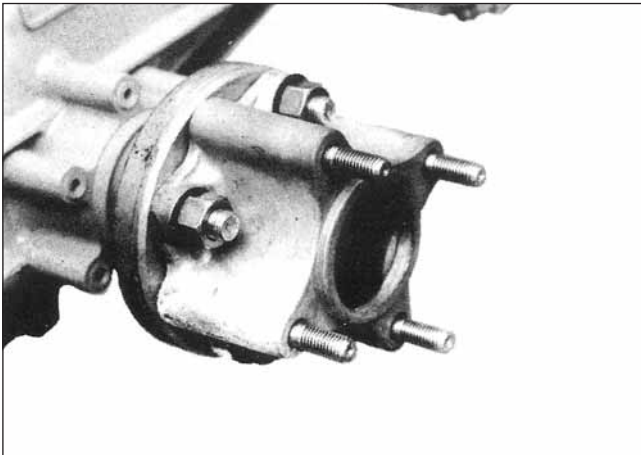


Fig. 22

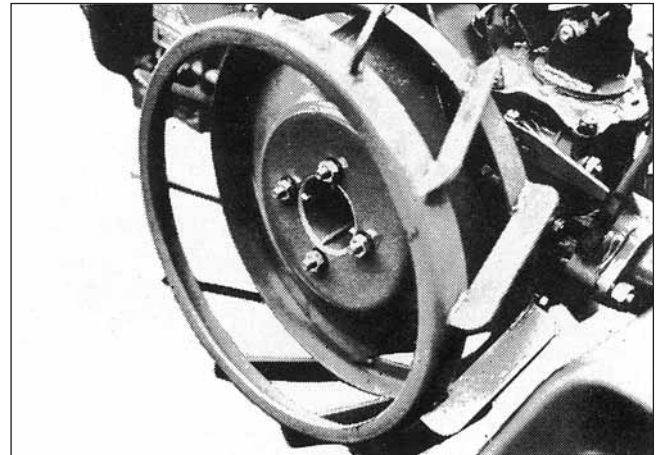


Fig. 23

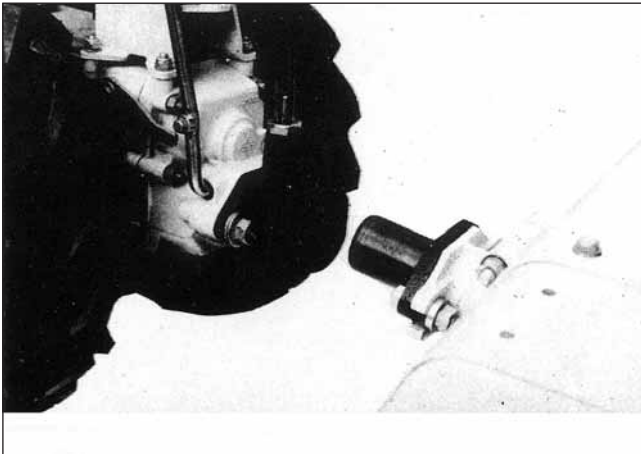


Fig. 24

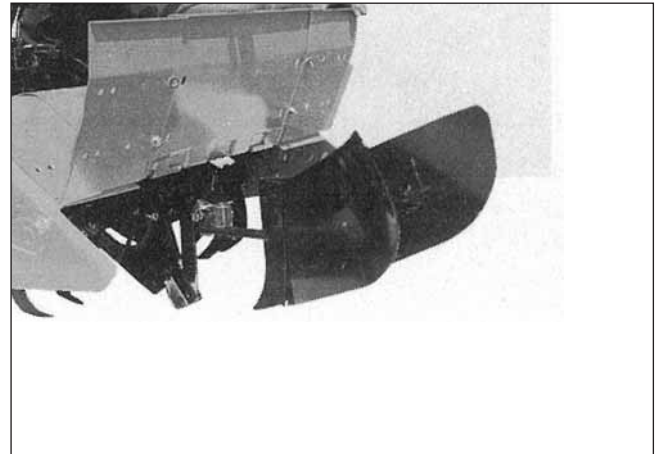


Fig. 25



Fig. 26

Sicklebar - Motofalciatrice - Motofaucheuse - Motormäher
Motosegadora - Motosegadeira - Χοριοκοπτικό

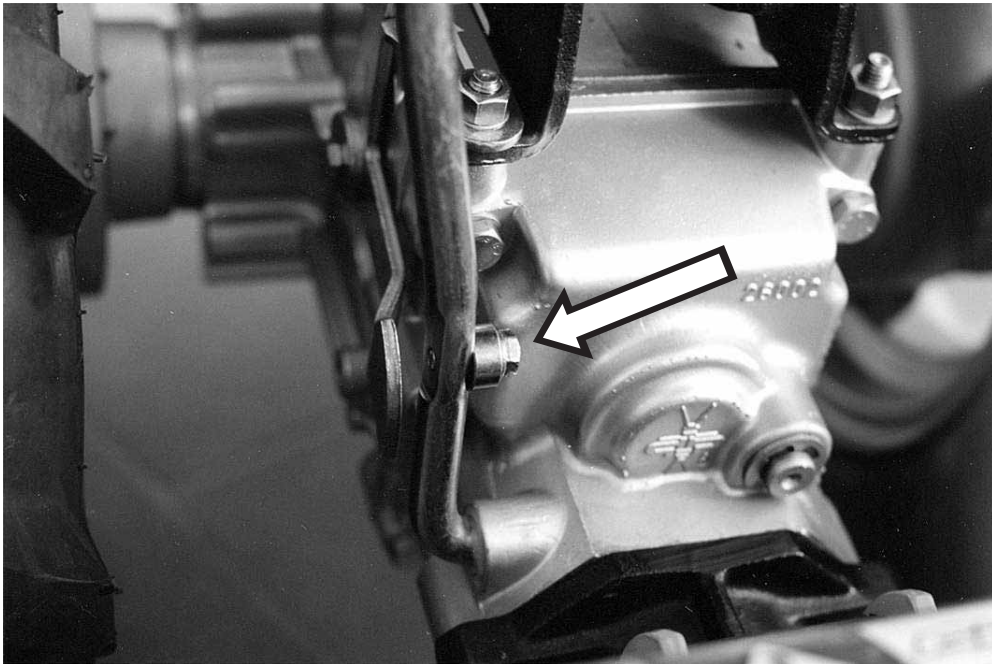


Fig. 27

Walking tractor - Motocoltivatore - Motoculteur - Einachsschlepper
Motocultor - Motocultivador - Μοτοσκαπτικό

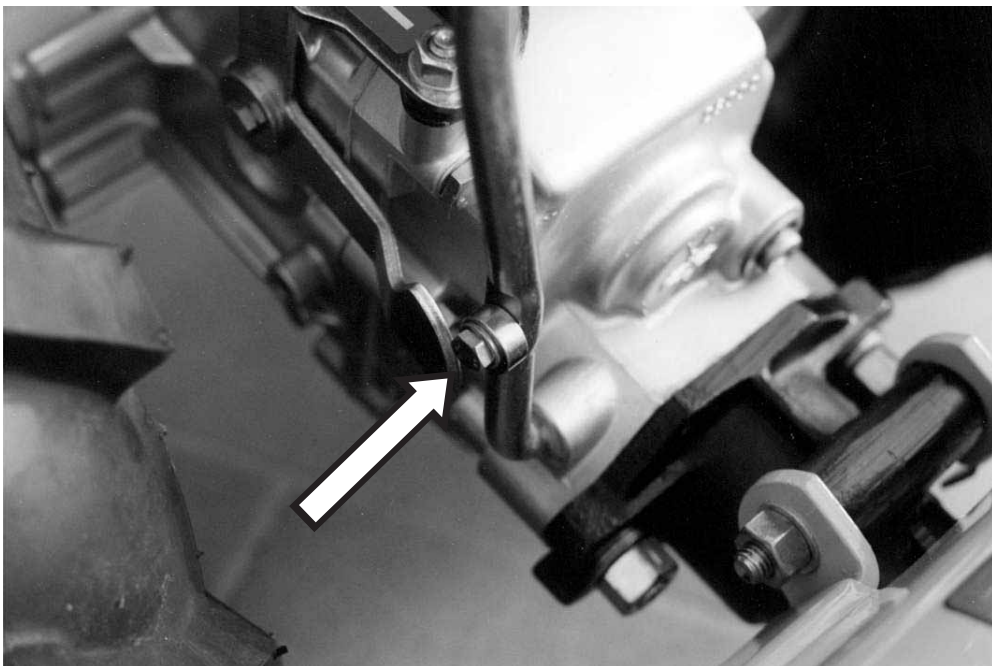
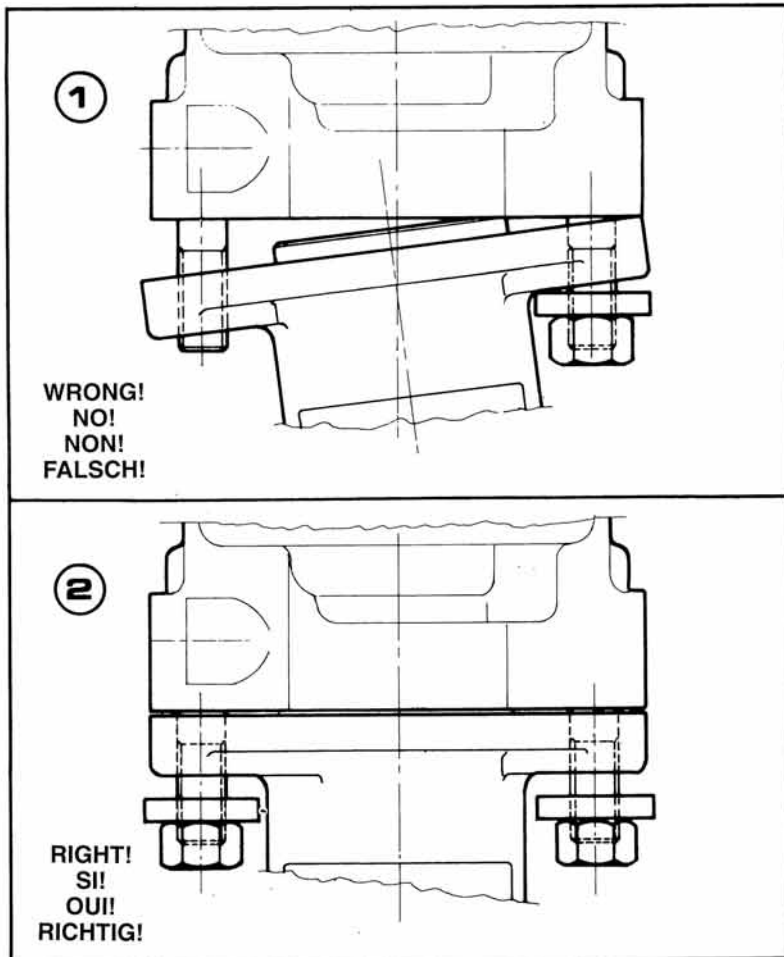


Fig. 28



HOW TO FIX THE IMPLEMENTS

- 1) Draw the implement near the machine as in ②
 - 2) Insert it right in the centre and then tighten by the two nuts.
- N.B.** The lack of observance of this rule can ruin the couplings and consequently the implement disengages.

ISTRUZIONI MONTAGGIO ATTREZZI

- 1) Accostare l'attrezzo alla macchina ②
 - 2) Inserirlo bene nel centraggio e serrare con i dadi
- N.B.** Non osservando questa regola si compromette il centraggio, di conseguenza l'attrezzo si disinnesta.

INSTRUCTIONS DE MONTAGE DES OUTILS

- 1) Approcher l'outil à la machine ②
 - 2) Introduire l'outil bien au centre et serrer par les deux écrous.
- N.B.** Si l'on n'observe pas cette règle on peut compromettre la jonction et par conséquent l'outil débraye.

MONTAGE DER GERÄTE

- 1) Das Gerät wie in Abb. ② ersichtlich an die Maschine bringen.
 - 2) Exakt in das Zentrierstück einlegen und die Muttern anziehen.
- MERKE** - Diese Hinweise sind genau zu befolgen; andernfalls wird die Zentrierung beeinträchtigt und das Gerät funktioniert nicht.

INSTRUCCIONES DEL MONTAJE DE LAS HERRAMIENTAS

- 1) Avecinar las herramientas de la máquina ②
 - 2) Inserir las bien en la parte central y apretarlas con 2 tuercas.
- NOTA:** No observando estas reglas se estropea la parte central y consecuentemente se desconecta.

INSTRUÇÕES PARA A MONTAGEM DAS FERRAMENTAS

- 1) Encostar a ferramenta à máquina ②
 - 2) Introduzi-la bem na centragem e apertar com as duas porcas.
- N.B.** Se não observar esta regra a centragem fica comprometida e, consequentemente, a ferramenta desengata-se.

Οδηγίες τοποθέτησης παρελκόμενων

- 1) Πλησιάστε το παρελκόμενο στο μηχάνημα ②
 - 2) Κεντράρετέ το καλά και σφίξτε με τα 2 παξιμάδια
- ΣΗΜ.:** Μην τηρώντας αυτό τον κανόνα δεν επιτυγχάνεται το κεντράρισμα και το παρελκόμενο αποσυνδέεται.

Fig. 29

NORMAL CUTTER BAR - BARRA FALCIANTE NORMALE BARRE DE COUPE NORMAL - MÄHWERK MIT UNIVERSALBALKEN BARRA SEGADORA NORMAL - BARRA SEGADEIRA NORMAL

Για μια μεγάλη διάρκεια ζωής σας υπενθυμίζουμε τα εξής σημεία λίπανσης:

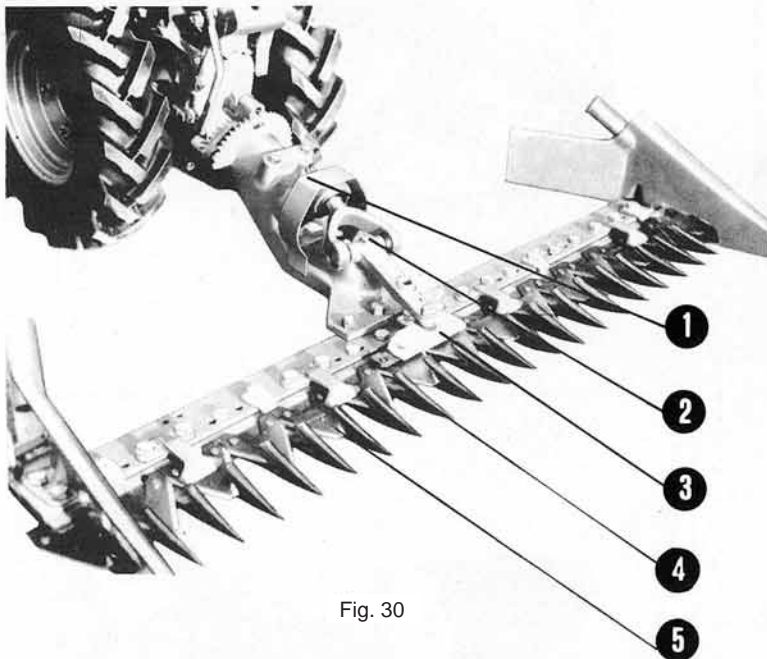


Fig. 30

**AFTER WORKING THE CUTTER BAR MUST BE WASHED AND GREASED!!
A LAVORO FINITO LA BARRA VA LAVATA E LUBRIFICATA!!
LE TRAVAIL TERMINÉ LAVER ET GRAISSER LA BARRE DE COUPE!!
NACH DER ARBEIT REINIGEN UND FETTEN!!**

**A TRABAJO ACABADO, LA BARRA VA LAVADA Y LUBRICADA!!
NO FINAL DO TRABALHO A BARRA DEVE SER LAVADA E LUBRIFICADA!!
στο τέλος της εργασίας πρέπει να πλένετε και να λιπαίνετε τη ράβδο**

If you want your cutter bar to last long remember the following lubrication nipples:

- 1) Lubricate every 50 hours with grease;
- 2) Lubricate every 8 hours with grease;
- 3) The blade coupling must be replaced when it gains too much clearance (always have some spare couplings because this can save your machine);
- 4) Fingers and ledger plates must be often checked and kept well lubricated;
- 5) The blade must be often lubricated. You can use old oil taken from engine oil changes.

Se vuoi che ti duri a lungo ti ricordiamo i seguenti punti di lubrificazione:

- 1) Lubrificare ogni 50 ore con grasso;
- 2) Lubrificare ogni 8 ore con grasso;
- 3) Questo attacco lama va sostituito quando prende gioco (averne sempre di scorta, perchè è la salvezza della macchina);
- 4) I denti ed i premi-lama vanno controllati spesso e tenuti ben lubrificati;
- 5) La lama va lubrificata spesso con olio vecchio, recuperato dai cambi del motore.

- 1) Λιπαίνετε κάθε 50 ώρες με γράσο
- 2) Λιπαίνετε κάθε 8 ώρες με γράσο
- 3) Αυτός ο σύνδεσμος μαχαιριού πρέπει να αντικατασταθεί όταν αρχίσει να έχει τζόγο. (Να έχετε πάντα έναν εφεδρικό γιατί είναι η σωτηρία του μηχανήματος).
- 4) Οι λεπίδες και τα πλακίδια τριβής πρέπει να ελέγχονται συχνά και να λιπαίνονται.
- 5) Η λόγχη πρέπει να λιπαίνεται συχνά με χρησιμοποιημένο λάδι από τις αλλαγές λαδιών μηχανής.

Points de lubrification:

- 1) Lubrifier toutes les 50 heures avec de la graisse;
- 2) Lubrifier toutes les 8 heures avec de la graisse;
- 3) Cette attache-lame sera remplacée quand elle prend du jeu;
- 4) Les dents et la première lame seront contrôlées souvent et tenues bien lubrifiées;
- 5) La lame sera lubrifiée souvent avec de la vieille huile récupérée lors de la vidange du moteur.

Vergessen Sie nicht, die folgenden Stellen regelmäßig zu ölen:

- 1) Alle 50 Stunden nachfetten;
- 2) Alle 8 Stunden nachfetten;
- 3) Diese Messerkupplung muß ausgewechselt werden, sobald sie locker wird (Halten Sie immer Ersatzstücke bereit!);
- 4) Die Zähne und die Messerandrücker häufig kontrollieren und nachschmieren;
- 5) Das Messer oft mit altem Motoröl schmieren.

Si quieres que te dure mucho, te recordamos los siguientes puntos de lubricación:

- 1) Lubricar cada 50 horas con graso;
- 2) Lubricar cada 8 horas con graso;
- 3) Esta conexión del peine va sustituida cuando toma holgura (tener siempre en provisión, porque es la salvación de la máquina);
- 4) Los dientes y el aparato que empuja la palanca van controlados frecuentemente y tenidos bien lubricados;
- 5) El peine va lubricado frecuentemente con aceite viejo recuperado de los cambios del motor.

Se quiser que ela lhe dure muito tempo, lembramos-lhe os seguintes pontos de lubrificação:

- 1) Lubrifique com massa ao fim de cada 50 horas de trabalho;
- 2) Lubrifique com massa ao fim de cada 8 horas de trabalho;
- 3) Esta fixação da lâmina deve ser substituída quando ganha jogo (Tenha sempre algumas em armazém pois são a salvação da máquina);
- 4) É necessário controlar com muita assiduidade os dentes e os retentores das lâminas e mantê-los sempre bem lubrificadas;
- 5) A lâmina deve ser lubrificada muitas vezes com o óleo velho que é recuperado das substituições feitas no motor.

NOISE LEVEL

Engine	Engine speed rpm	Equivalent acoustic pressure level dB(A)
Petrol	3060	82,1
Diesel	3060	90,1

RUMOROSITÀ

Motore	Regime di rotazione del motore giri/min.	Livello equivalente di pressione acustica dB(A)
Benzina	3060	82,1
Diesel	3060	90,1

BRUIT

Moteur	Régime de rotation du moteur tr/min.	Niveau équivalent de pression sonore dB(A)
Essence	3060	82,1
Diesel	3060	90,1

GERÄUSCHEMISSION

Motor	Motordrehzahl in Upm	Entspr. Schalldruckwert In dB(A)
Benzin	3060	82,1
Diesel	3060	90,1

NIVELES DEL RUIDO

Motor	Régimen de revolución del motor r.p.m.	Nivel equivalente de presión acústica dB(A)
Gasolina	3060	82,1
Diesel	3060	90,1

NÍVEL DE RUÍDO

Motor	Regime de rotação do motor rotações/min.	Nível de pressão acústica equivalente dB(A)
Gasolina	3060	82,1
Diesel	3060	90,1

ΜΕΤΡΗΣΗ ΤΟΥ ΕΠΙΠΕΔΟΥ ΘΟΡΥΒΟΥ

Κινητήρας	Ταχύτητα περιστροφής του κινητήρα	Ισοδύναμο επίπεδο ακουστικής πίεσης στη θέση του οδηγού dB(A)
Κινητήρας εσωτερικής καύσης	3060	82,1
Κινητήρας ντήζελ	3060	90,1

VIBRATION LEVELS

Engine speed rpm	Vibrations m/s ²
3060	12,4 / 11,8
3060	15,9

RILIEVO DEI LIVELLI DI VIBRAZIONE

Regime di rotazione del motore giri/min.	Vibrazioni m/s ²
3060	12,4 / 11,8
3060	15,9

RELÈVEMENT DES NIVEAUX DE VIBRATION

Régime de rotation du moteur tr/min.	Vibrations m/s ²
3060	12,4 / 11,8
3060	15,9

VIBRATIONSPEGEL

Motordrehzahl in Upm	Vibrationen m/s ²
3060	12,4 / 11,8
3060	15,9

DETECCIÓN DE LOS NIVELES DE VIBRACIÓN

Régimen de revolución del motor r.p.m.	Vibraciones m/s ²
3060	12,4 / 11,8
3060	15,9

DETERMINAÇÃO DOS NÍVEIS DE VIBRAÇÃO

Regime de rotação do motor rotações/min.	Vibrações m/s ²
3060	12,4 / 11,8
3060	15,9

ΜΕΤΡΗΣΗ ΕΠΙΠΕΔΟΥ ΚΡΑΔΑΣΜΩΝ

Ταχύτητα περιστροφής του κινητήρα	m/s ²
3060	12,4 / 11,8
3060	15,9



47521 CESENA (ITALY) - Via Cervese 1701
Tel. 0547/633111 (centralino) - Fax 0547/384222 - 0547/632011
Internet: www.grillospa.it - E-mail: grillo@grillospa.it